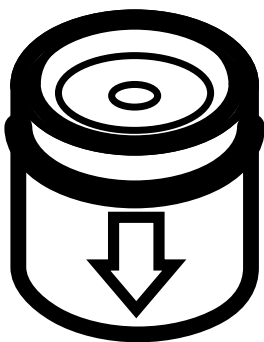
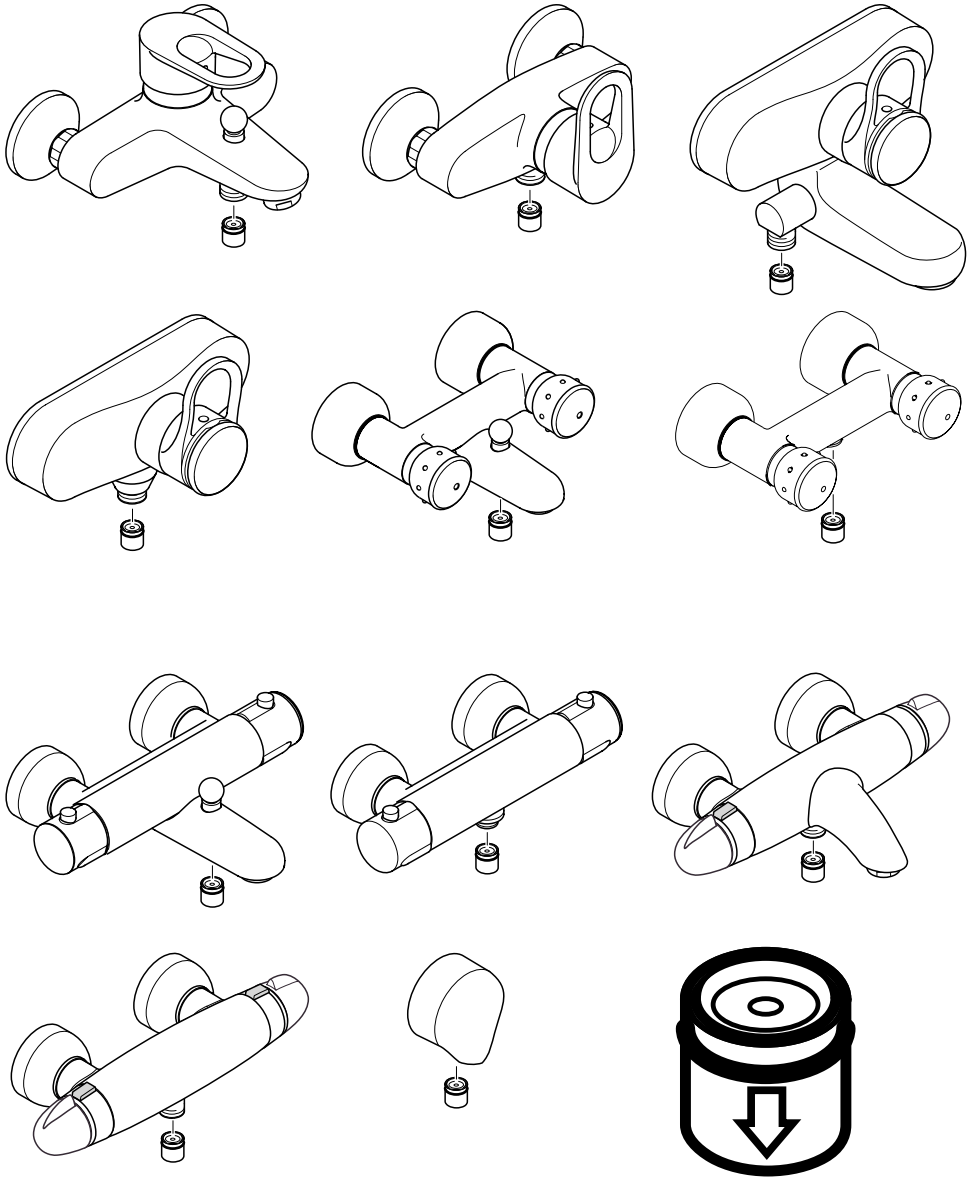


Service

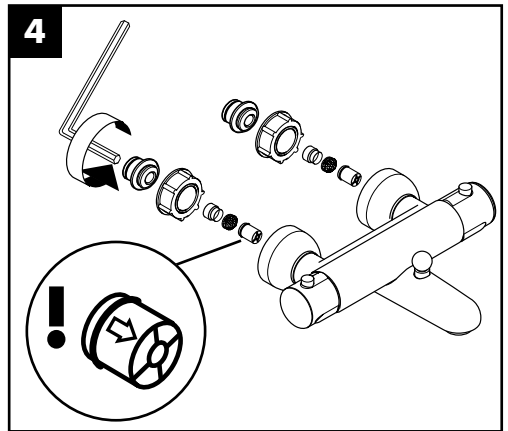
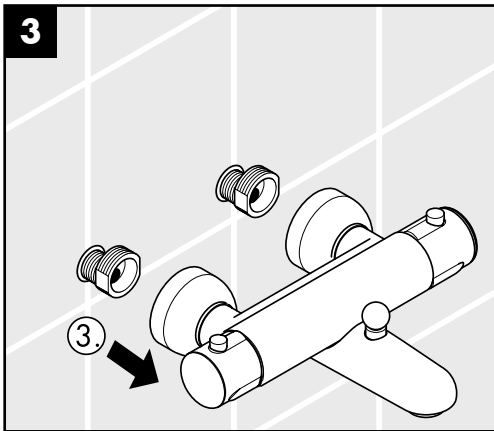
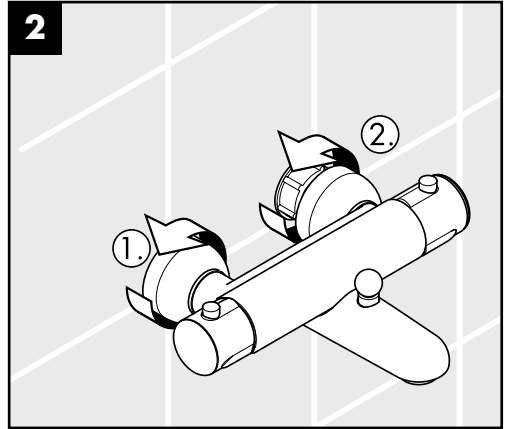
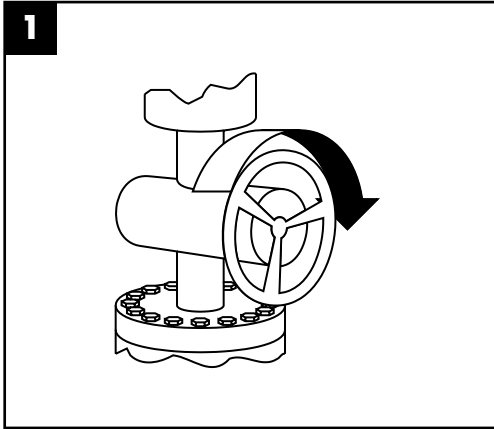


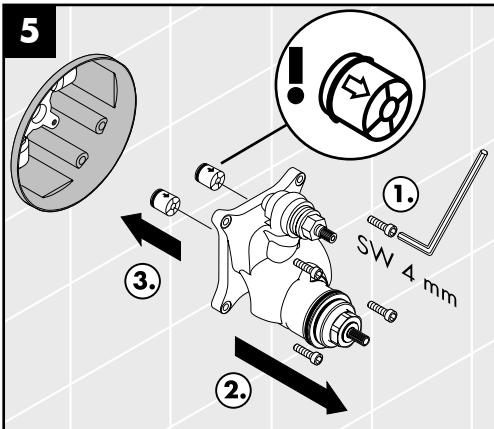
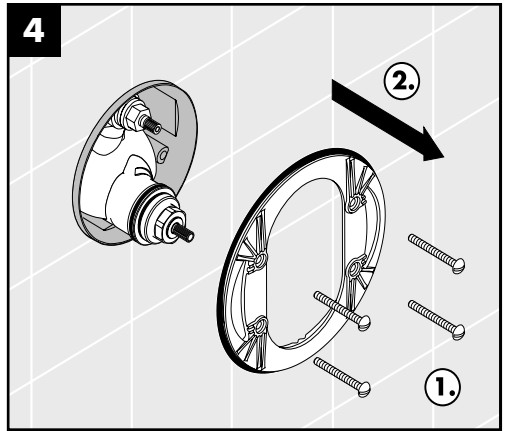
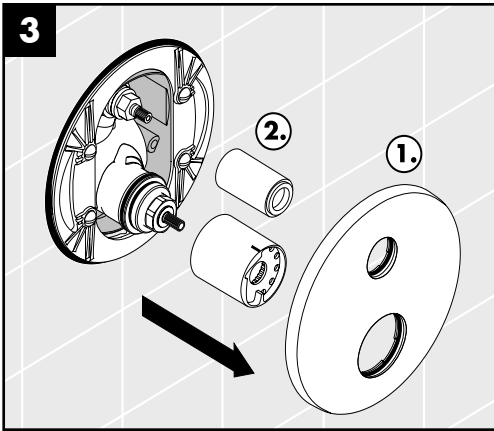
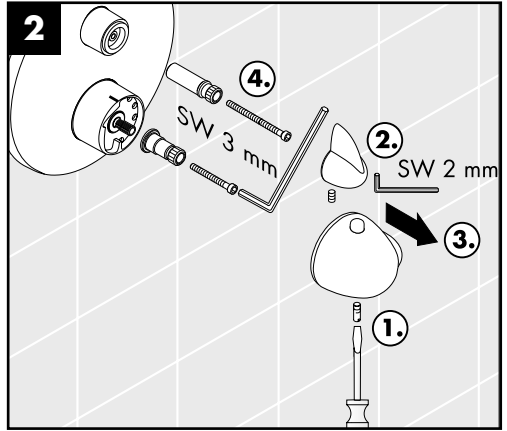
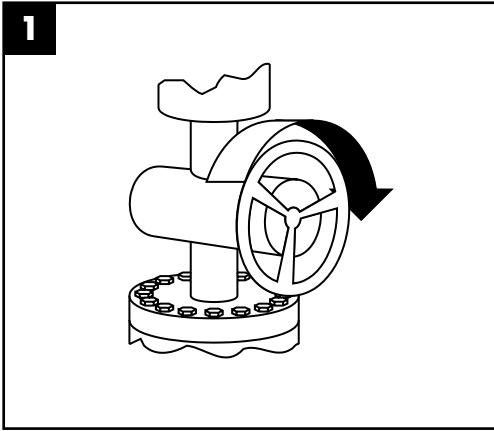
DW15 / DW16
94074000 / 95033000

hansgrohe



Ecostat 1001 / 2001 / 5001





hansgrohe

AXOR | PHÄRO