

# DEL REY HEATER REMOTE CONTROL KIT INSTALLATION INSTRUCTIONS

## IMPORTANT!

Read all instructions before you begin. Do not jump ahead or skip any step.

## CAUTION!

Some parts may have sharp edges; care must be taken when handling the various components to avoid injury. Please read safety information provided in these instructions before beginning assembly. Be sure to have a qualified technician install and ground this appliance before using.

## CONTENTS INCLUDED:

The package contains a weather-proof receiver assembly, wire nuts, a transmitter remote control and installation sheet (Fig. 01 & 02).

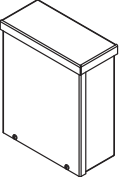



Contents	Qty.
 Receiver Assembly	1
 Wire Nuts	6
 Transmitter	1
 Instruction	1

Fig. 01

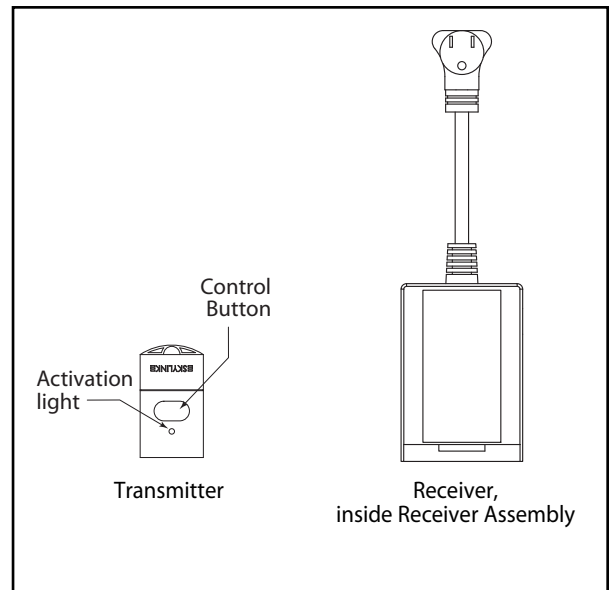


Fig. 02

## TOOLS REQUIRED:


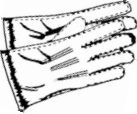

	Eye Goggles
	Work Gloves
	Power Screwdriver or Variable Speed Drill with Phillips -tip #2 Attachment

Fig. 03

## FCC

This device complies with part 15 of the FCC Rules. Operation is subject to the following two conditions:

1. This device may not cause harmful interference.
2. This device must accept any interference received, including interference that may cause undesired operation.

## **WARNING**

**Changes or modifications to this unit not expressly approved by DCS by Fisher & Paykel could void the user's authority to operate the equipment. DCS by Fisher & Paykel will not be held liable or responsible for any misuse or application of this product other than for its intended use.**

## SPECIFICATIONS

RANGE: Up to 100 feet

INPUT: 120 VAC 60 Hz

MAXIMUM LOAD: 300W

BATTERY (TRANSMITTER): 12-volt alkaline battery  
(type 23AE, see Fig. 04)

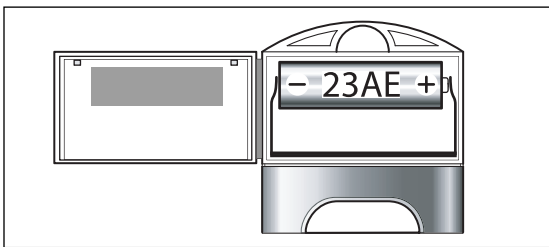


Fig. 04

## ELECTRICAL

This kit contains the 24 VAC, 40 VA transformer and remotely controlled switch that's needed for proper operation. If this is an upgrade to an existing installation, discard the transformer that is currently installed with your heater (DCS DRH-48N). It's no longer needed. Follow the electrical diagram to connect the heater to the transformer wires included in this kit and to connect the electrical supply line to the switch receptacle (Fig. 05~07).

Each remote control box must be electrically grounded and installed in accordance with the local codes or, in the absence of local codes with the National Electrical Code, ANSI/NFPA 70. Use at least 18 AWG wire up to 50 ft from heater to remote control unit. Use 16 AWG over 50 ft distance. If the original wires supplied should need replacement, they must be replaced with wiring material having a temperature rating of at least 105°C.

**The on-off control of the heater is controlled by the transmitter (Fig. 02). This unit provides 24 VAC power to your Del Rey built-in patio heater.**

***NOTE: Aim the transmitter at the box when operating.***

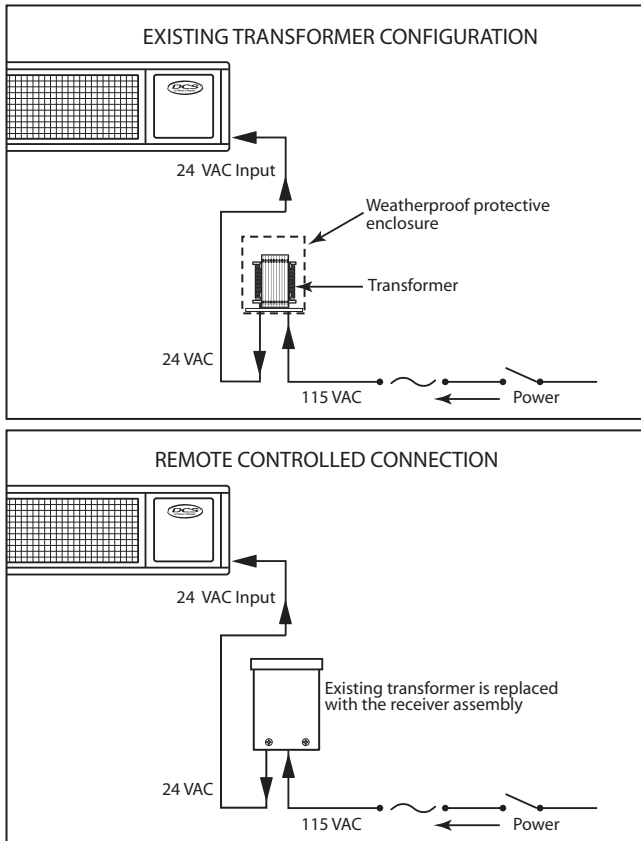


Fig. 05

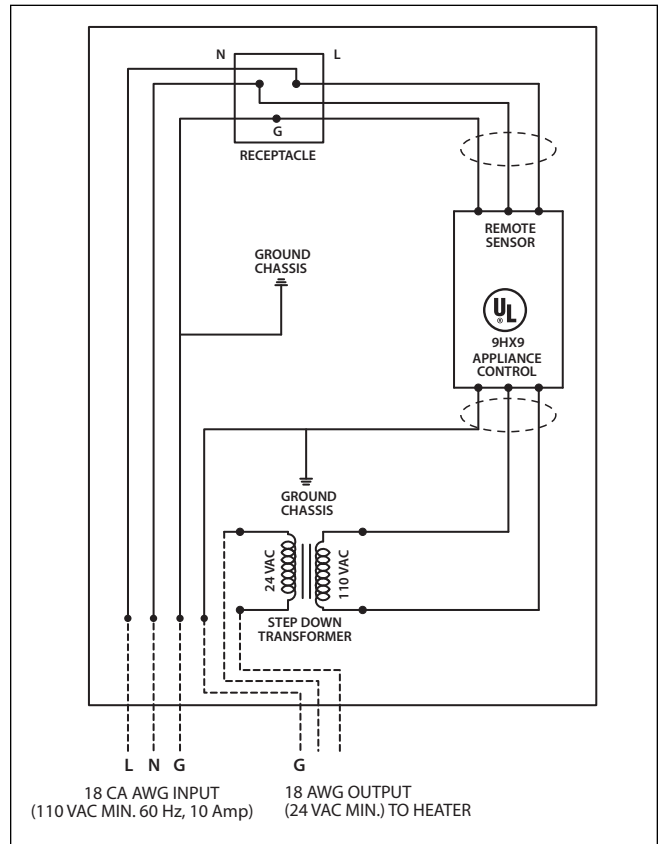


Fig. 06

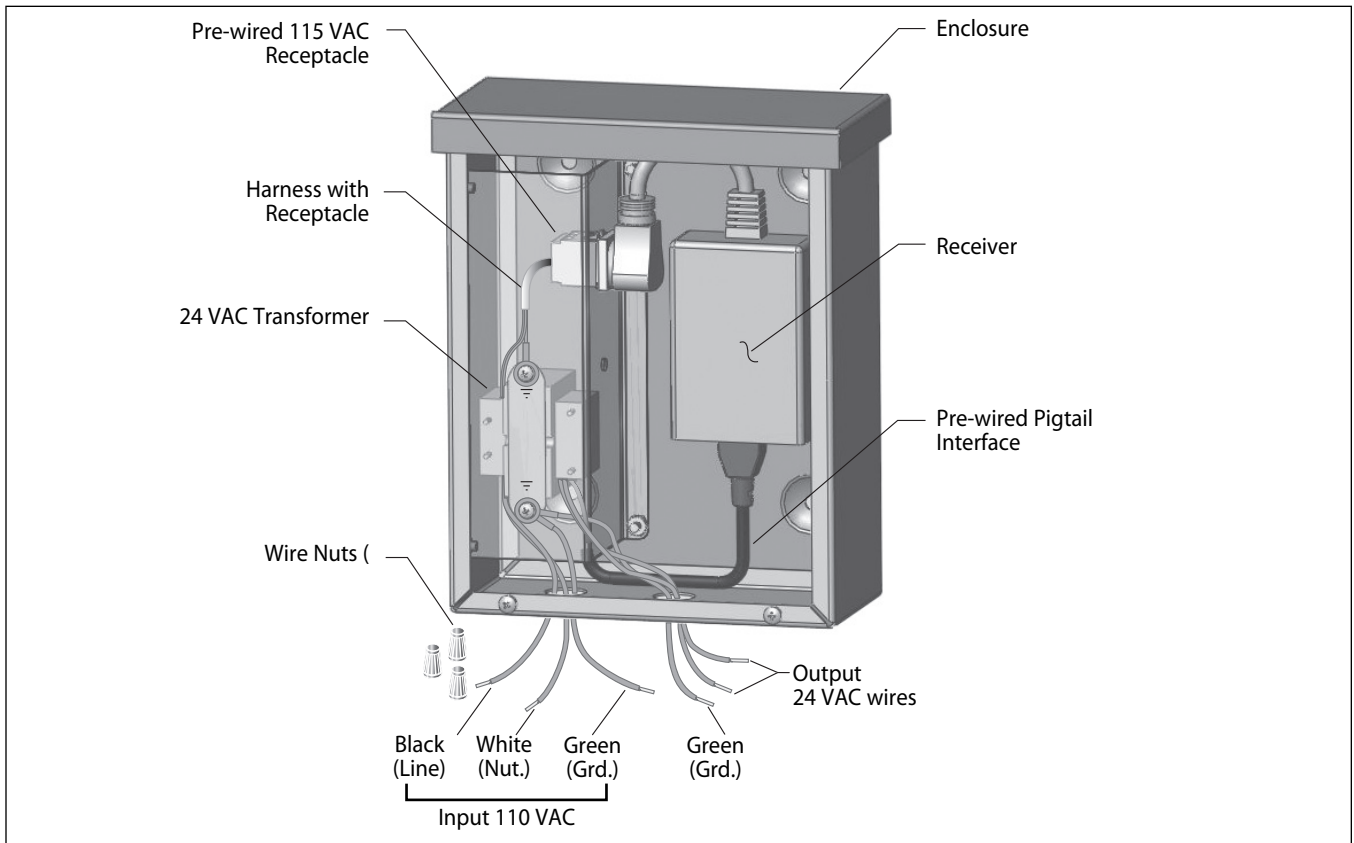


Fig. 07

## LOCATION

Do not locate this unit or any electrical supply line directly over the heater. Electrical short or fire may occur due to overheating. Follow the diagram below for appropriate zones for the installation of this unit (Fig. 08).

## WARNING

The unit must be mounted outside the shaded areas shown in the diagram below (Fig. 08). The remote control box must be installed in a location such that it is accessible for servicing.

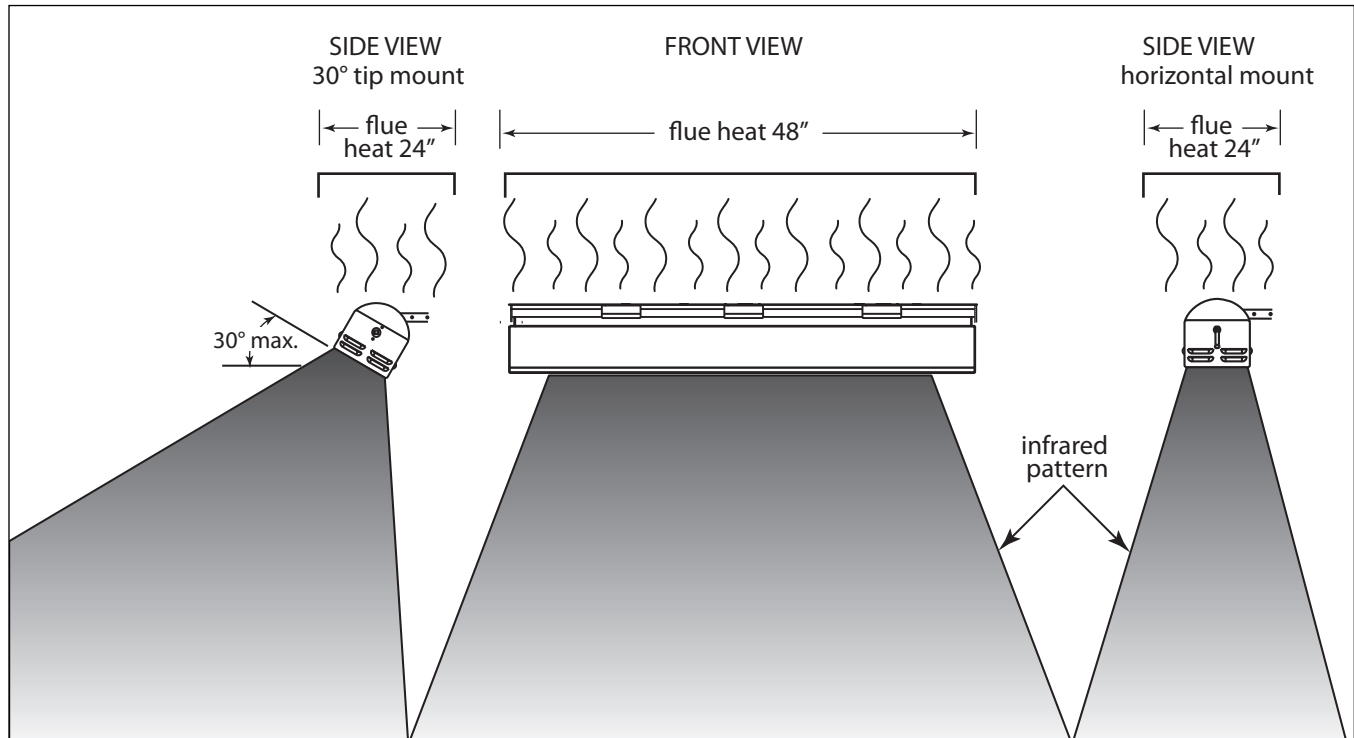


Fig. 08 Infrared Pattern

## BATTERY REPLACEMENT

1. Use 12-volt alkaline battery (type 23AE, see Fig. 04).
2. Open the battery compartment cover, and replace the old battery with a new one.

**NOTE: DO NOT dispose of battery in fire. Battery may explode or leak.**

## TROUBLESHOOTING:

### Heater does not come on.

1. Circuit breaker has tripped, power switch is in "OFF" position, or fuse is blown. Check circuit breaker, power switch, or check and replace fuse if necessary.
2. Signals from remote control are being blocked, or remote is out of range. Check for metal objects that could block the signal or reposition the remote control.
3. Weak battery in the remote control. Check/replace battery.
4. See troubleshooting guide the came with your heater.

### Heater does not turn off.

1. Pushing remote control button too fast.
2. Same as 2~3 above.

## **TROUBLESHOOTING (CONTINUED):**

**Manual shutdown (if it becomes necessary to turn off heater without using the remote):**

1. Switch the power to "OFF" or,
2. Open the circuit breaker that supplies power to the heater.
3. Wait for flame to extinguish completely before restoring power to the circuit again.

***Note: It will be necessary to use the remote to start the heater again after a manual shutdown.***

## **HOW TO OBTAIN SERVICE:**

For warranty service, contact DCS Customer Care Center at (888) 281-5698. Before you call, please have the following information ready:

- Model Number
- Serial Number
- Date of installation
- A brief description of the problem

Your satisfaction is of the utmost importance to us. If a problem cannot be resolved to your satisfaction, please email us at: [support@dcsappliances.com](mailto:support@dcsappliances.com)

or write:

Fisher & Paykel Appliances, Inc.  
Attention: DCS Customer Care  
5900 Skylab Road  
Huntington Beach, CA 92647

[www.dcsappliances.com](http://www.dcsappliances.com)

Before you call for service:

1. Is the circuit breaker tripped or the fuse blown?
2. Is there a power outage in the area?
3. Replace the battery in the transmitter.
4. Check for any sounds like clicking or humming coming from the remote control unit with power turned on.
5. Turn off the power supply for 5 minutes and restart.
6. Check heater troubleshooting guide that came with your heater.

## **LIMITED WARRANTY**

When you purchase a new DCS remote control by Fisher & Paykel, you automatically receive a One Year Limited Warranty covering parts and labor for the entire product, and a Five Year Limited Warranty on all stainless steel components for servicing within the 48 mainland United States, Hawaii, Washington D.C. and Canada. In Alaska, the Limited Warranty is the same except that you must pay to ship the Product to the service shop or for the service technician's travel to your home. Products for use in Canada must be purchased through the Canadian distribution channel to ensure regulatory compliance. Surface corrosion and discoloration is not covered under warranty.

### **FISHER & PAYKEL UNDERTAKES TO:**

Repair without cost to the owner either for material or labor any part of the Product, the serial number of which appears on the Product, which is found to be defective. In Alaska, you must pay to ship the Product to the service shop or for the service technician's travel to your home. If we are unable to repair a defective part of the Product after a reasonable number of attempts, at our option we may replace the part or the Product, or we may provide you a full refund of the purchase price of the Product (not including installation or other charges).

This warranty extends to the original purchaser and any succeeding owner of the Product for products purchased for ordinary single-family home use. All service under this Limited Warranty shall be provided by Fisher & Paykel Appliances Inc. or its Authorized Service Agent during normal business hours.

### **HOW LONG DOES THIS LIMITED WARRANTY LAST?**

Our liability under this Limited Warranty for the entire product expires ONE YEAR from the date of purchase of the Product by the first consumer. Our liability under this Limited Warranty for stainless steel components (not including surface corrosion and discoloration) expire FIVE YEARS from the date of purchase of the Product by the first consumer.

Our liability under any implied warranties, including the implied warranty of merchantability (an unwritten warranty that the Product is fit for ordinary use) also expires ONE YEAR (or such longer period as required by applicable law) from the date of purchase of the Product by the first consumer. Some states do not allow limitations on how long an implied warranty lasts, so this limit on implied warranties may not apply to you.

### **THIS WARRANTY DOES NOT COVER:**

- A. Service calls that are not related to any defect in the Product. The cost of a service call will be charged if the problem is not found to be a defect of the Product. For example:
1. Correct faulty installation of the Product.
  2. Instruct you how to use the Product.
  3. Replace house fuses, reset circuit breakers, correct house wiring or plumbing, or replace light bulbs.
  4. Correct fault(s) caused by the user.
  5. Change the set-up of the Product.
  6. Unauthorized modifications of the Product.
  7. Noise or vibration that is considered normal, for example, drain/fan sounds, regeneration noises or user warning beeps.
  8. Correcting damage caused by pests, for example, rats, cockroaches etc.
- B. Defects caused by factors other than:
1. Normal domestic use or
  2. Use in accordance with the Product's User Guide.

- C. Defects to the Product caused by accident, neglect, misuse, fire, flood or Act of God.
- D. The cost of repairs carried out by non-authorized repairers or the cost of correcting such unauthorized repairs.
- E. Travel Fees and associated charges incurred when the product is installed in a location with limited or restricted access (i.e. airplane flights, ferry charges, isolated geographic areas).
- F. Normal recommended maintenance as set forth in the Product's User Guide.

If you have an installation problem contact your dealer or installer. You are responsible for providing adequate electrical, exhausting and other connection facilities. We are not responsible for consequential or incidental damages (the cost of repairing or replacing other property damaged if the Product is defective or any of your expenses caused if the Product is defective). Some states do not allow the exclusion or limitation of incidental or consequential damages, so the above limitation or exclusion may not apply to you.

### **HOW TO GET SERVICE**

Please read your User Guide. If you then have any questions about operating the Product, need the name of your local DCS Authorized Service Agent, or believe the Product is defective and wish service under this Limited Warranty, please contact your dealer or call us at:

TOLL FREE 1-888-281 5698 or contact us through our web site: [www.dcsappliances.com](http://www.dcsappliances.com).

You may be required to provide reasonable proof of the date of purchase of the Product before the Product will be serviced under this Limited Warranty.

### **COMMERCIAL USE**

This warranty applies to appliances used in residential applications; it does not cover their use in commercial situations.

### **NO OTHER WARRANTIES**

This Limited Warranty is the complete and exclusive agreement between you and Fisher & Paykel Appliances, Inc. regarding any defect in the Product. None of our employees (or our Authorized Service Agents) are authorized to make any addition or modification to this Limited Warranty.

Warrantor: Fisher & Paykel Appliances, Inc.

If you need further help concerning this Limited Warranty, please call us at the above number, or write to:

Fisher & Paykel Appliances, Inc.  
Attention: DCS Customer Care  
5900 Skylab Road, Huntington Beach, CA 92647

This Limited Warranty gives you specific legal rights, and you may also have other rights which vary from state to state.

Fisher & Paykel Appliances Inc. is a leading manufacturer of premium quality cooking and specialty appliances under the Fisher & Paykel and DCS brands.



---

Quality provided by Fisher & Paykel Appliances Inc.

---

Fisher & Paykel Appliances, Inc.  
5900 Skylab Road, Huntington Beach, CA 92647  
Customer Care: 888.281.5698 • Fax: 714.372.7003  
[www.dcsappliances.com](http://www.dcsappliances.com)

P/N 238915 RB 02/08