

leggett & platt®

fashion bed™

6755 W. 65th Street Bedford Park, IL 60638

Parts List For Caroline Daybed

PART #318401 HARDWARE BAG FOR DAYBED FLINT

- (1) 1/4-20 X 2 1/8" COUNTERSUNK ALLEN HEAD SCREW-4 BLACK
- (2) 1/4-20 X 3/4" FLAT ALLEN HEAD SCREW-8 BLACK
- (3) 13/16" ID SEATING RING-4 FLINT
- (4) 5/8" OD METAL WASHER-8 BLACK
- (5) ALLEN WRENCH

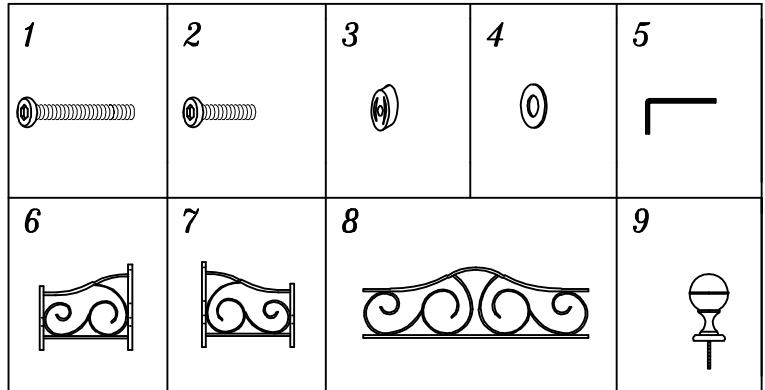
PART #318402 HARDWARE BAG FOR DAYBED WHITE

- (1) 1/4-20 X 2 1/8" COUNTERSUNK ALLEN HEAD SCREW-4 BRASS
- (2) 1/4-20 X 3/4" FLAT ALLEN HEAD SCREW-8 BRASS
- (3) 13/16" ID SEATING RING-4 BRASS
- (4) 5/8" OD METAL WASHER-8 BRASS
- (5) ALLEN WRENCH

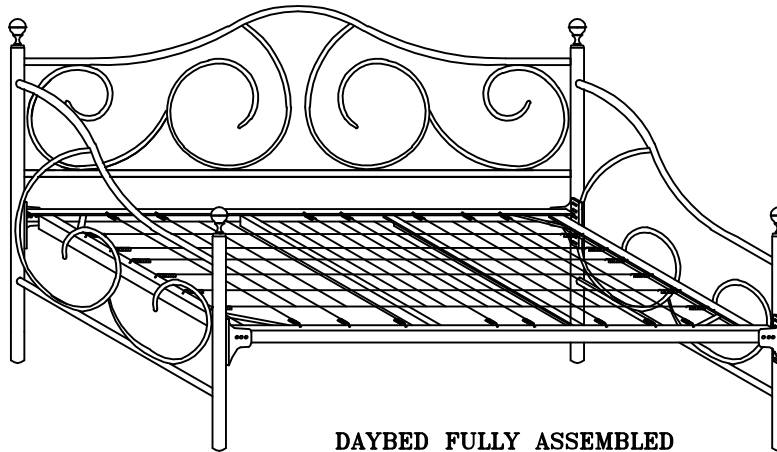
DAYBED PARTS:

- (6) LEFT SIDE -1
- (7) RIGHT SIDE-1
- (8) BACK PANEL-1
- (9) FINIAL-4

FLINT COLOR #318401151
WHITE COLOR #318401120



SAVE ALL PACKAGING MATERIALS UNTIL PRODUCT IS FULLY ASSEMBLED. HARDWARE AND SMALL PIECES MAY NOT BE SEEN AND BE ACCIDENTALLY DISCARDED WITH PACKAGING MATERIALS.



DAYBED FULLY ASSEMBLED

Instruction Sheet • For ease of assembly you will need a helper.
• Periodically retighten all screws.

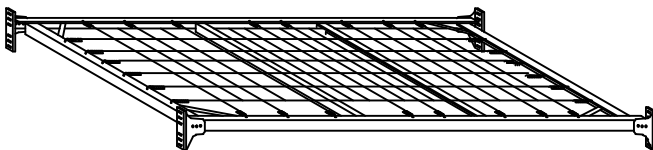
STEP 1- Locate hardware bag for Daybed & Link Spring Assembly.

- Hardware bag for daybed assembly is located inside the daybed box.
- Link spring - follow manufacturer instructions to assembly end brackets to link spring before attaching to daybed

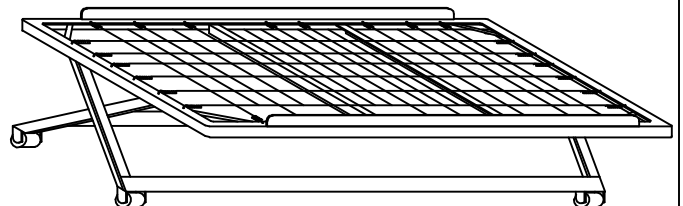
OPTIONAL

"LINK SPRING SOLD SEPARATELY"

"TRUNDLE UNIT SOLD SEPARATELY"



LINK SPRING FULLY ASSEMBLED



Instruction Sheet

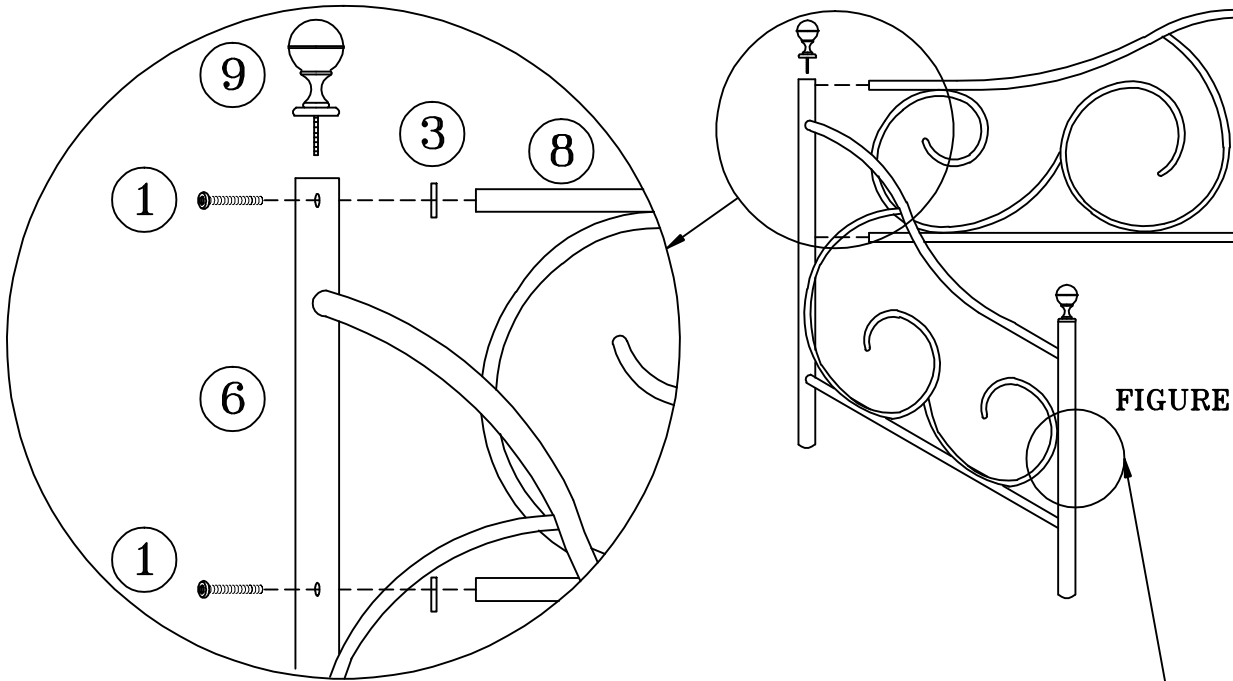


FIGURE 2

NOTES:

- Do not tighten all screws until the mattress support system and the back panel of the daybed have been assembled to the side arms.
- After assembly of the mattress support system and the back panel to the sides tighten all connections
- Periodically retighten all screws.

Step 1

- Align rail ends of back panel grill (8) to holes on left side (6) back post.
- Place seating ring (3) between connections. (See Figure 1 & 2)
- Secure grill to post by using screw (1). **DO NOT TIGHTEN SCREWS.**
- Repeat same step for assembly of the right side (7) back post to back panel. (See Figure 1 & 2)

Step 2

- Bolt one end bracket of the mattress support system to one daybed side panel.
- For each post use 2 screws (2), 2 metal washers (4) loosely tighten. (See Figure 3)
- Repeat on the other daybed post.
- screw in finial (9) onto top posts. (See Figure 1 & 2)
- You are ready now for mattress installation.

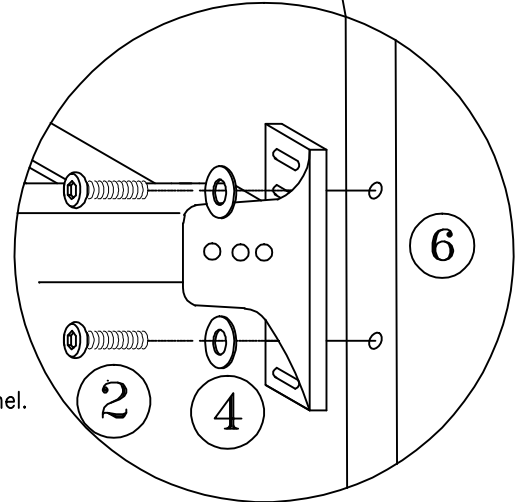


FIGURE 3

FOR ASSISTANCE IN ASSEMBLY ONLY OF THIS PRODUCT. CALL OUR HELP DESK AT 1-800-324-3415, BETWEEN 8:30 AM & 4:30 PM CENTRAL TIME MONDAY THRU FRIDAY. PLEASE HAVE THE STYLE NUMBER AVAILABLE BEFORE YOU CALL. (STYLE # OR NAME CAN BE FOUND ON PACKING CARTON OR SALES RECEIPT.) OUR PRODUCT IS INSPECTED TO ENSURE IT IS IN GOOD CONDITION. IF YOUR FURNITURE APPEARS TO HAVE BEEN DAMAGED IN SHIPMENT OR YOU ARE IN NEED OF REPLACEMENT PARTS PLEASE CONTACT THE DEALER FROM WHOM YOU PURCHASED THE PRODUCT.