

QPL-5 & KPL-5 INSTRUCTION SHEET

Step 1 Tap plastic inserts into legs of cross supports.

Step 2 Thread wing nuts, with flat surface up, about 2/3 of the way onto adjustable glides. Thread adjustable glides about 1/2 way up into leg. See View 1.

Step 3 *For QPL cross support system:* Loosely attach L-screw to clamp and slide onto square end of the cross support as indicated in View 2. Overlap cross supports and slide clamp onto both cross supports. Adjust cross support to width needed, and tighten L-screw.

For KPL cross support system: Loosely attach L-screw to clamp and slide onto square end of the long cross support as indicated in View 2. Slide the short cross support over the long cross support and adjust to the width needed. Place clamp where cross supports overlap and tighten L-screw.

Step 4 *For QPL cross support system:* Place the clamped cross supports between side rails, as shown in View 3.

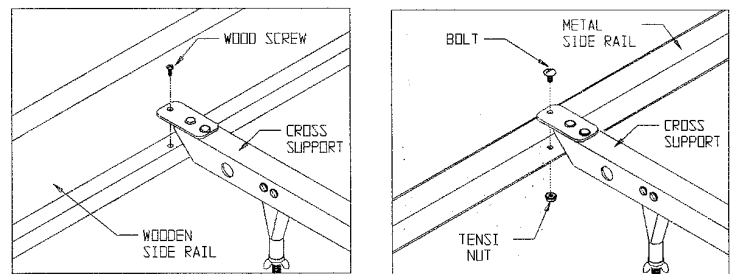
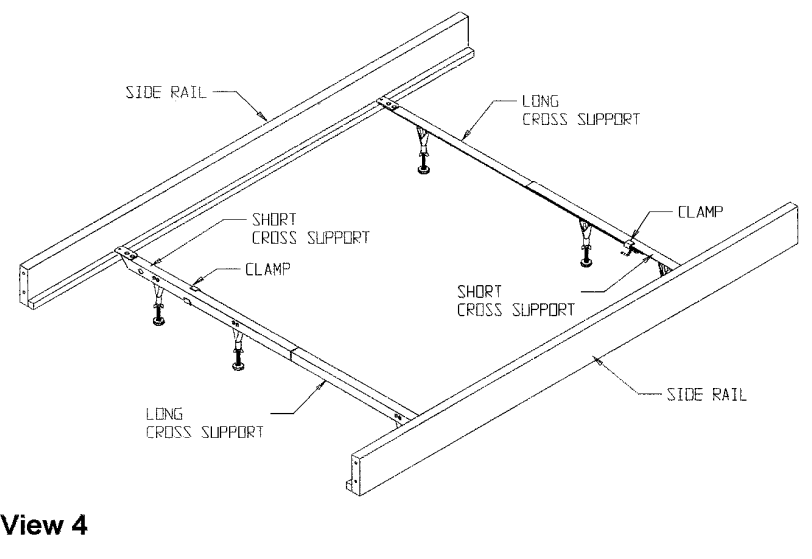
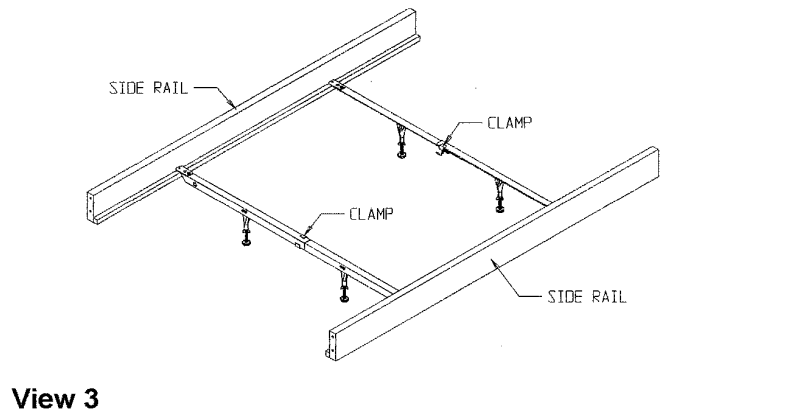
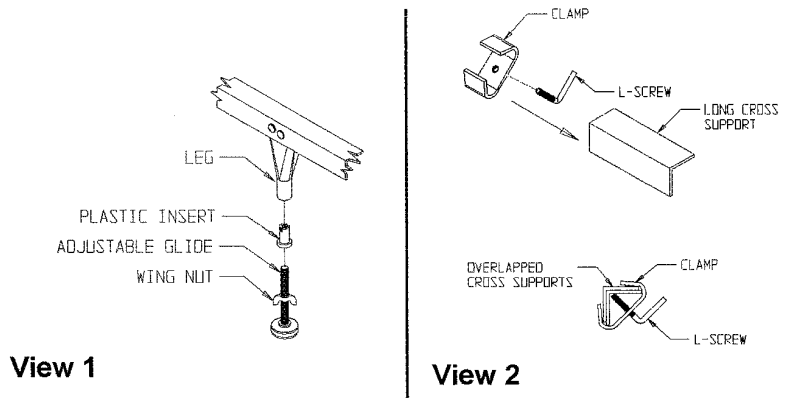
For KPL cross support system: Place the clamped cross supports between side rails, as shown in View 4.

Step 5 Secure cross supports to side rails as detailed in View 5.

Step 6 Adjust glide height to clear floor or carpet surface by 1/8 inch. Lock glides in place by turning wing nuts tight against the plastic inserts.

P.N. 99300527

- 1/10/01



Wooden Side Rails

Metal Side Rails

View 5