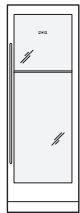


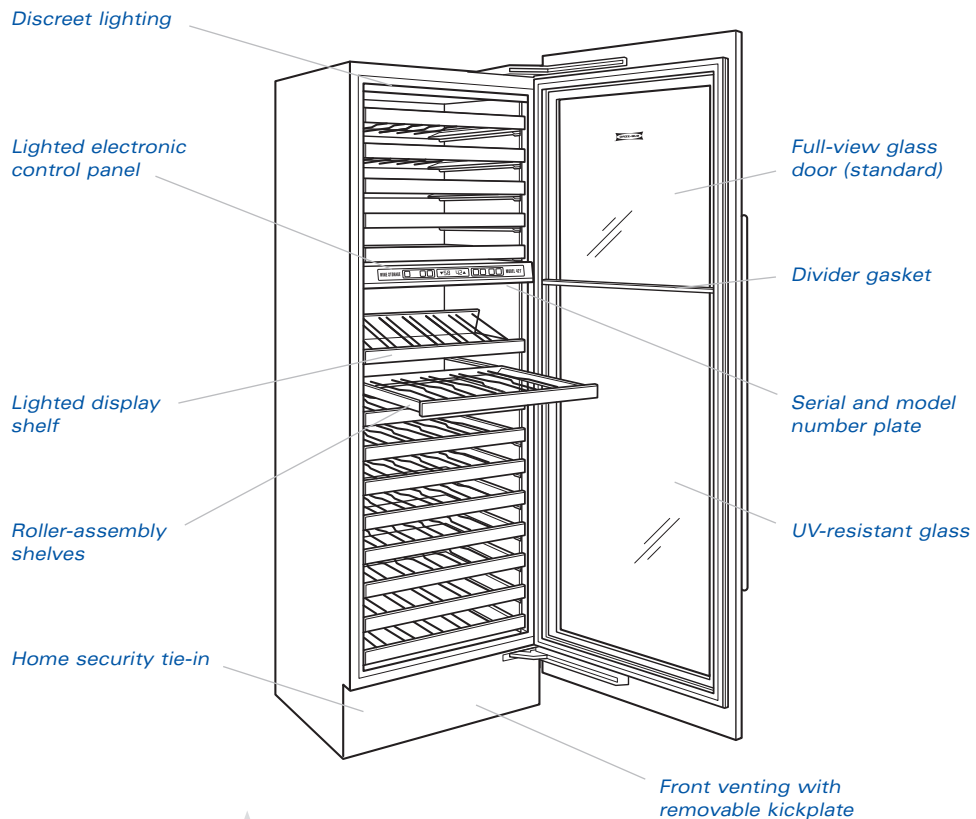
Wine Storage Model 427 Full-Size



WINE STORAGE



Model 427



With the installation of a harness kit, these appliances are Star-K compliant to meet strict religious regulations in conjunction with specific instructions found on star-k.org. You may purchase this harness kit through your Sub-Zero dealer. To obtain local dealer information, visit the Locator section of our website, subzero.com.

► The Sub-Zero Model 427 Wine Storage unit, integrated design accepts custom wood or stainless steel door panels. Door panels and handles are available as sales accessories in three stainless steel finishes—classic, platinum and carbon. A solid door unit may be special ordered as well as a unit with high altitude glass for installations at or above 5,000' (1524 m) in elevation.

A great addition to Sub-Zero's complete line of residential refrigeration is the Wine Storage equipment. But it is more than just wine storage in the conventional sense. It is wine storage as only Sub-Zero could make it. The ultimate in beauty, engineering, attention to detail and smart thinking.

This unique unit is compatible with the Integrated line of products offered by Sub-Zero and would be a nice addition to a line of a tall refrigerator or tall freezer in someone's home. When you think about panels and surrounding cabinetry you should review the Integrated Refrigeration section of this Guide to get you into the proper frame of mind.



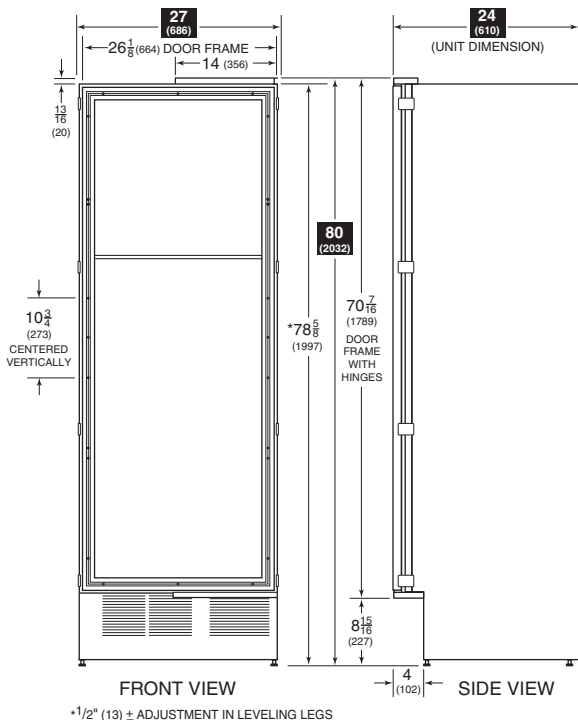
Wine Storage Model 427

FEATURES

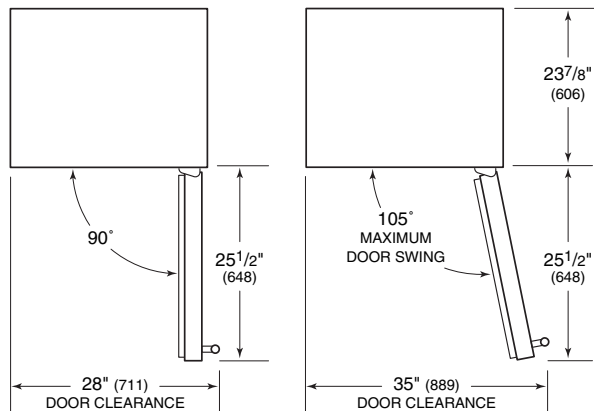
- ▶ Full-size Wine Storage unit with 132 (750 ml) bottle capacity
- ▶ Integrated design accepts custom wood or stainless steel door panels offered in three stainless finishes
- ▶ Refrigeration system allows individual temperature control of the two wine compartments and ideal humidity
- ▶ Illuminated display shelf for those prize bottles
- ▶ Sturdy, rustproof wire shelves accommodate standard 750 ml bottles, half-bottles, as well as magnums
- ▶ Roller-glide shelves faced with natural cherry wood have a three-quarter extension for easy access

- ▶ Full-view glass door standard with UV-resistant glass protection
- ▶ Solid door unit and high altitude glass unit can be special ordered
- ▶ Discreet low voltage interior lighting
- ▶ Service light indicator, optional lock and tie-in to home security system
- ▶ The exclusive dual action hinge has a built-in 90° door stop
- ▶ UL approved for US and Canada
- ▶ Two, five and twelve year residential warranty—exclusions apply; warranty information can be found on our website, subzero.com

OVERALL DIMENSIONS



WINE STORAGE



NOTE: Door swing clearances are based on stainless steel door and handle dimensions.

Overall dimensions shown in the standard full-view glass door application.

Dimensions may vary by ± 1/8" (3).

Dimensions in parentheses are in millimeters unless otherwise specified.



Wine Storage Model 427



WINE STORAGE

DOOR OPTIONS

Full-View Glass Door (standard)	427G
Solid Door	427S
High Altitude Glass Door	427HAG

You must allow 90 days from order to delivery for solid door and high altitude glass door units.

PANEL OPTIONS

Integrated (custom panels)	
Classic Stainless Steel Finish	/S
Platinum Stainless Steel Finish	/P
Carbon Stainless Steel Finish	/B

Stainless steel full-view glass and solid door front panels are ordered and shipped as sales accessories and include tubular handles.

ACCESSORIES

- ▶ Tubular handles in classic, platinum and carbon stainless steel
- ▶ Polished chrome handles for custom panel applications
- ▶ UL approved door lock kit
- ▶ Dual installation heater kit

Accessories are available through your Sub-Zero dealer. To obtain local dealer information, visit the Locator section of our website, subzero.com.

SPECIFICATIONS

Model 427	Full-Size Wine Storage Unit
Overall Width	27" (686)
Overall Height	80" (2032)
Overall Depth	24" (610)
Wine Storage Capacity	132 Bottles (750 ml)
Minimum Height (levelers in)	79 1/2" (2019)
Door Swing Clearance	25 1/2" (648)
Electrical Requirements	115 V AC, 60 Hz, 15 amp circuit
Shipping Weight	Glass Door - 395 lbs (179 kg) Solid Door - 386 lbs (175 kg)
Special Note	High altitude glass doors are available for elevations 5,000' (1524 m) or above

Specifications are subject to change without notice.

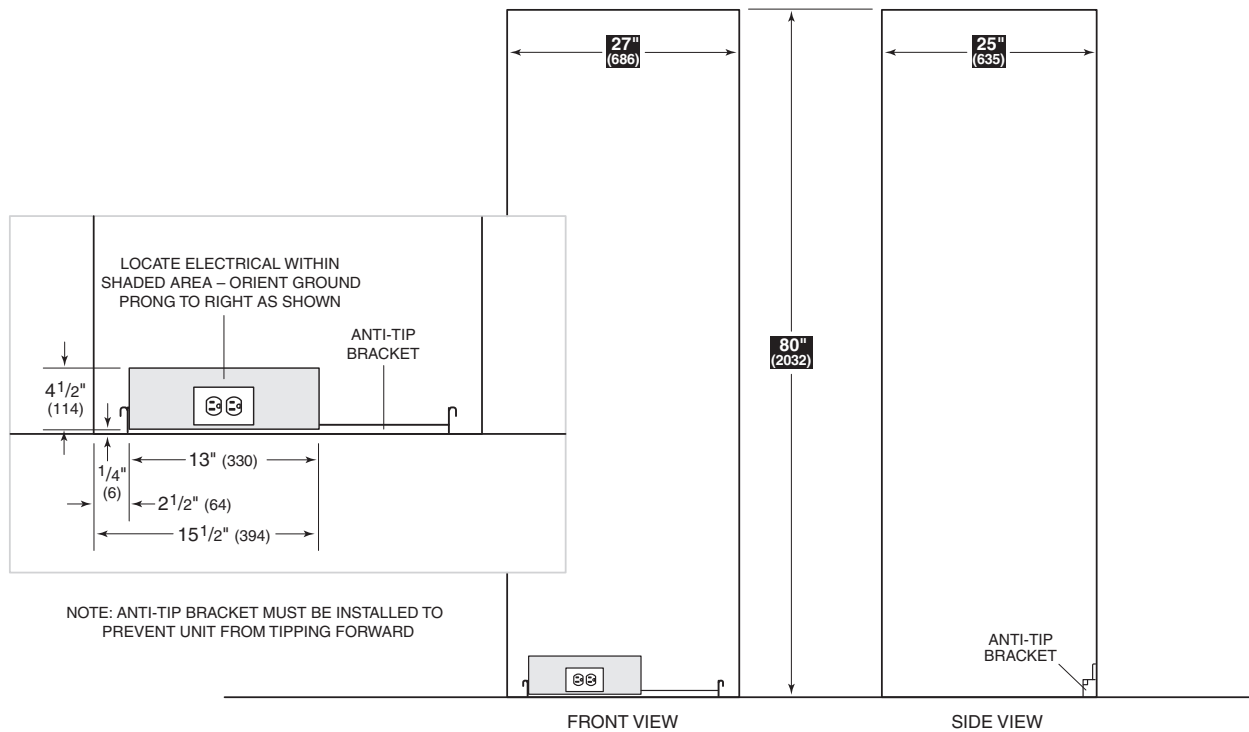
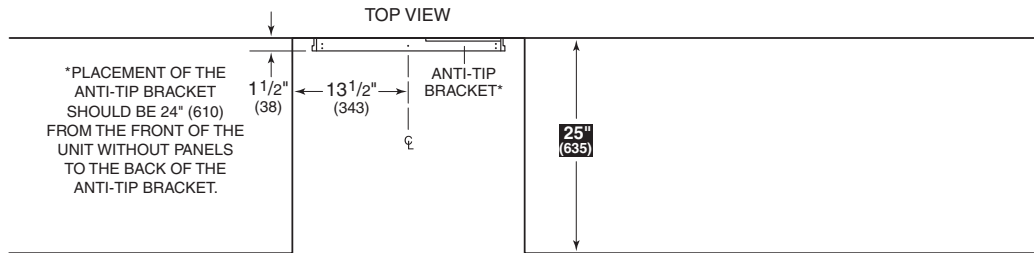


Wine Storage Model 427

INSTALLATION SPECIFICATIONS



WINE STORAGE



DIMENSIONS

Finished Rough Opening Width	27" (686)
Finished Rough Opening Height	80" (2032)
Finished Rough Opening Depth	25" (635)*
Location of Electrical	Within shaded area

**The depth of the Model 427 is 24" (610) from the front of the unit to its back. Your design may necessitate moving the unit back, or cabinets forward to achieve a flush fit. This will require a minimum rough opening depth of 25" (635).*

See Installation Instructions shipped with unit for detailed specifications.



Wine Storage Model 427

INSTALLATION NOTES

▶ Refer to the illustrations and specifications for overall dimensions, finished rough opening dimensions and installation specifics.

IMPORTANT NOTE: The depth of Model 427 is 24" (610) from the front of the unit to its back. Your design may necessitate moving the unit back, or cabinets forward to achieve a flush fit. This will require a minimum rough opening depth of 25" (635). Refer to the installation illustration on page 4.

- ▶ The Wine Storage unit must be installed to open a minimum of 90° or you will have problems pulling the shelves out.
- ▶ For corner installations, you need allow for a minimum 3" (76) filler so the door can open to 90°. If you are using some larger handle hardware, you will also need to take that into account. For a maximum 90° door opening, use the door stop built into the hinge system.
- ▶ If you are installing a wine unit next to an existing Sub-Zero unit, you may have to allow for a filler strip. Also, if there is 2" (51) or less in between units, an optional heater kit will need to be installed to prevent moisture from forming in between units.
- ▶ If you are connecting the unit to your home security system, you must allow a minimum of 36" (914) of the system's wiring to be routed in the electrical area designated for your model.
- ▶ The anti-tip bracket must be installed to prevent the unit from tipping forward.
- ▶ If your client has chosen the Model 427 stainless steel design, you will need to have the stainless steel panels and handle hardware installed.
- ▶ For the integrated design, you will need to provide a complete door panel in the instance of a solid door unit, or a frame for the glass door application, where wine will be seen from the outside. Refer to pages 6–11 for complete panel information.

IMPORTANT NOTE: A solid door panel must not be installed on a glass door unit, as this may cause moisture to form behind the panel. Solid door models are available as a special order and require 90 days for delivery.

▶ The door panel for Model 427 can grow beyond the 80" (2032) height to accommodate any size of door as long as you stay below door panel weight limit.

- ▶ For Model 427, the weight limit for a frame panel for the glass door unit is 20 lbs (9 kg). The weight limit for a solid door panel is 40 lbs (18 kg).
- ▶ If you are installing Sub-Zero's optional lock kit, you may have to order door panels that exceed the 80" (2032) finishing height. Consult the lock installation instructions and see if your panels will allow for an adequate installation.
- ▶ For integrated panel applications, you must supply your own handle hardware. It is recommended you use our optional handles and use the pre-drilled holes supplied to locate the handles within the frame of our unit. Refer to page 12 for specifics about installing handle hardware.
- ▶ Sub-Zero has provided a natural cherry wood facing to each of the wine shelves. You can choose to replace these strips with wood more complementary to your design and surrounding cabinetry. Refer to the full-scale illustration on page 14 for dimensions on the wood facing.
- ▶ A 115 V AC, 60 Hz, 15 amp fused electrical supply is required. It is recommended that a separate circuit, serving only this appliance, be provided.
- ▶ All Sub-Zero Wine Storage units are equipped with a power supply cord with a 3-prong grounding plug which must be plugged into a mating 3-prong grounding type wall receptacle. Locate electrical within the shaded area shown in the installation illustration on page 4.
- ▶ You must follow all National Electrical Code regulations. In addition, be aware of local codes and ordinances when installing your service.
- ▶ Refer to the Wine Storage Installation Instructions packed with the appliance, which provides step-by-step procedures for making sure the unit is installed properly.

Wine Storage Model 427



WINE STORAGE

⚠ CAUTION

A solid panel must not be installed on a glass door unit, as this may cause moisture to form behind the panel.

INTEGRATING CABINETRY

Unless you are installing a stainless steel unit, you will need to provide a full door panel in the instance of a solid door unit, or a frame for the glass door application, where wine will be seen from the outside. If you order a stainless steel Model 427, you will need to have the stainless steel panel and handle installed.

INTEGRATED PANELS

If you are familiar with our Integrated line and its panel applications, this section will be relatively easy to understand. The Wine Storage solid door panels or frame panels for glass doors will follow some of the identical planning processes you learned with the Integrated line. The installation of the door panels is completely different, however. Rather than using the mounting hardware we used with the Integrated units, the door panel for Model 427 will be attached with screws applied through our door.

IMPORTANT NOTE: The depth of Model 427 is 24" (610) from the front of the unit to its back. You MUST allow for the thickness of the panel you are applying when planning for the finished rough opening depth if you want the front panel to be flush with surrounding cabinetry. You may have to move the unit back into drywall or bring the cabinets forward.

The glass door opening of the standard Model 427 is designed to be exposed to room air circulation. Decorative overlays on the glass should be kept to a minimum. While the cabinet front stiles are a minimum of 2¹/₄" (57), the top and bottom rails are different. Rails and stiles can be increased in size but should not exceed cabinet manufacturers standard width. They cannot exceed overall door panel dimensions specified, as they would interfere with the operation of the door. The back sides of rails and stiles that will be visible through the glass door will need to be finished. Also, the inside edges of the frame must be finished to match the front surface.

Wine Storage Model 427



WINE STORAGE

IMPORTANT NOTE: Wine Storage models with a solid door are available as a special order and require 90 days for delivery.

⚠ CAUTION

A solid panel must not be installed on a glass door unit, as this may cause moisture to form behind the panel.

INTEGRATED PANELS

The dimensions of these panels and stiles are assuming the Model 427 finishes off at 80" (2032) in height overall and has a 4" (102) toe kick. If you finish off at 84" (2134) for instance, you must add 4" (102) additional to the overall height of the panel and remember to add 4" (102) to the top rail. Likewise, if you allow for a 6" (152) toe kick for the Model 427, you must subtract 2" (51) from the bottom rail.

IMPORTANT NOTE: The toe kick area on the Model 427 cannot be larger than 6" (152) or less than 4" (102). Refer to toe kick specifications for Integrated Models.

The door panel for Model 427 can grow beyond the 80" (2032) height to accommodate any size of door as long as you stay below door panel weight limit of 40 lbs (18 kg) for solid door and 20 lbs (9 kg) for glass door units. Refer to upper valance specifications for Integrated Models.

IMPORTANT NOTE: If you are installing Sub-Zero's optional lock kit on a Model 427, you may have to order door panels that exceed the 80" (2032) finishing height. Consult the lock installation instructions and see if your panels will allow for an adequate installation.

The door frame of the unit has pre-drilled holes for our optional handle hardware. Refer to Hardware Considerations on page 12 for specifics about installing handle hardware on this overlay application.

Refer to the charts and illustrations on the following pages for specific dimensions for integrating cabinetry for Model 427.

For additional specifications and installation information specific to Model 427, refer to pages 2-5. Also refer to the comprehensive installation instructions that are shipped with each unit.



Wine Storage Model 427



WINE STORAGE

IMPORTANT NOTE: Wine Storage models with a solid door are available as a special order and require 90 days for delivery. When ordering panels for a solid door unit, follow the overall panel dimensions indicated in the chart, rail and stile dimensions do not apply.

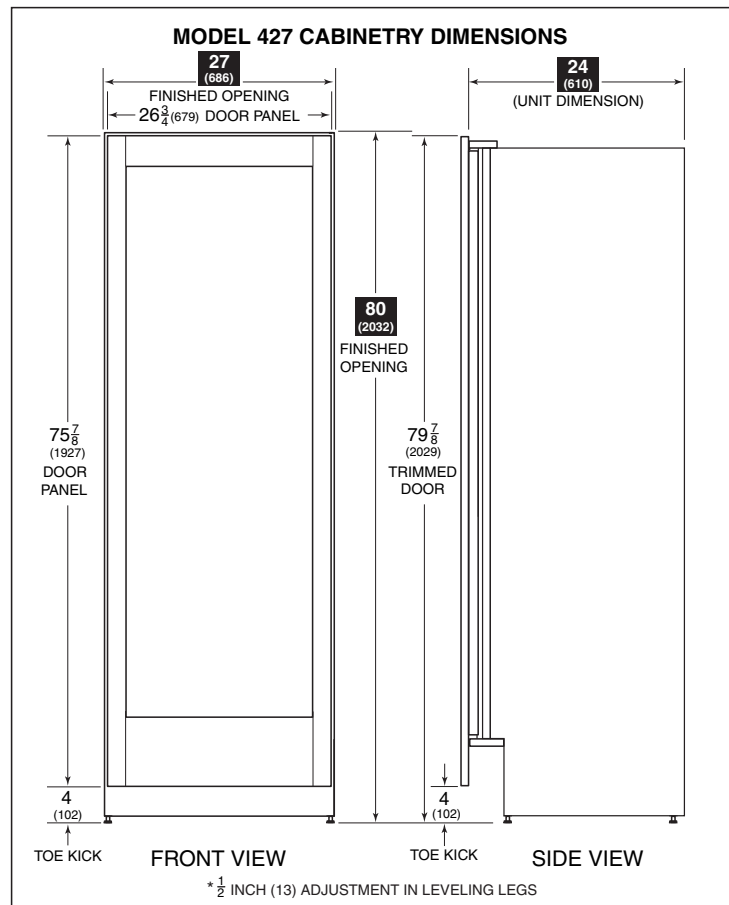
⚠ CAUTION

A solid panel must not be installed on a glass door unit, as this may cause moisture to form behind the panel.

To give you a better idea of the exact space the Model 427 needs and how the panels fit in relationship with the unit, refer to the following chart and illustration

MODEL 427 PANEL SPECIFICATIONS ▼

Door Panel (W x H)	26 3/4" (679) x 75 7/8" (1927)
Width of Top Rail	3 3/4" (95) min
Width of Bottom Rail	8" (203) min
Width of Stiles	2 1/4" (57) min
Door Panel Weight Limit	Glass Door - 20 lbs (9 kg) Solid Door - 40 lbs (18 kg)
Panel Thickness	5/8" (16) min



Cabinetry dimensions shown in the standard full-view glass door application.

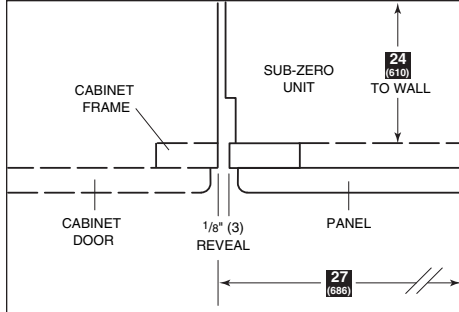
Dimensions in parentheses are in millimeters unless otherwise specified.

Wine Storage Model 427

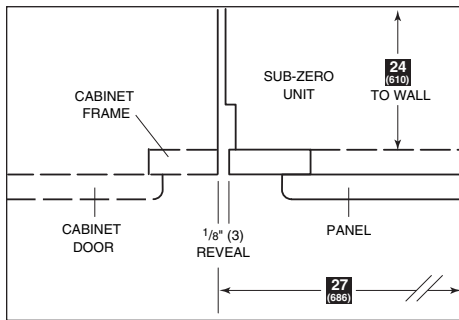


WINE STORAGE

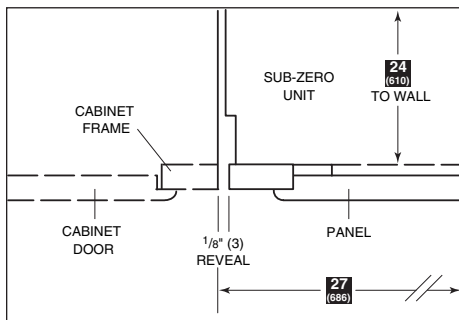
FRAMED CABINETRY



Traditional Frame – full overlay (top view).



Traditional Frame – standard overlay (top view).



Traditional Frame – 3/8" (10) offset (top view).

FRAMED CABINETRY APPLICATIONS

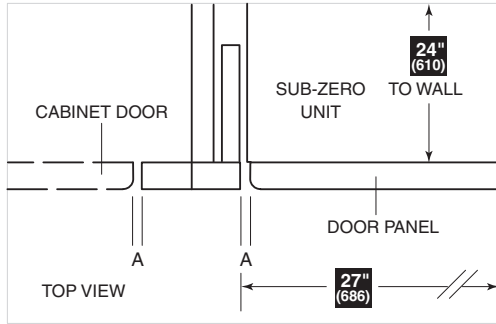
Framed cabinetry applications present you with different questions to address. The illustrations on this page show common applications of framed cabinetry. These are not meant to be the only alternatives, but are suggestions from designers around the country. Also refer to the full-scale illustrations at the end of this section for specifics on door openings.

IMPORTANT NOTE: The depth of the Model 427 is 24" (610) from the front of the unit to its back. You must allow for the thickness of the panel you are applying when planning for the finished rough opening depth if you want the front panel to be flush with surrounding cabinetry. You may have to move the unit back into drywall or bring the cabinets forward to achieve a flush fit. Refer to the illustrations on this page.

The Illustration on the following page gives dimensions for a Model 427 installed within a framed cabinetry beaded inset application. Review the illustration, giving particular attention to the overall panel specifications. Also refer to the full-scale illustrations at the end of this section for specifics on door openings.

Wine Storage Model 427

FRAMED CABINETRY - BEADED INSET APPLICATION

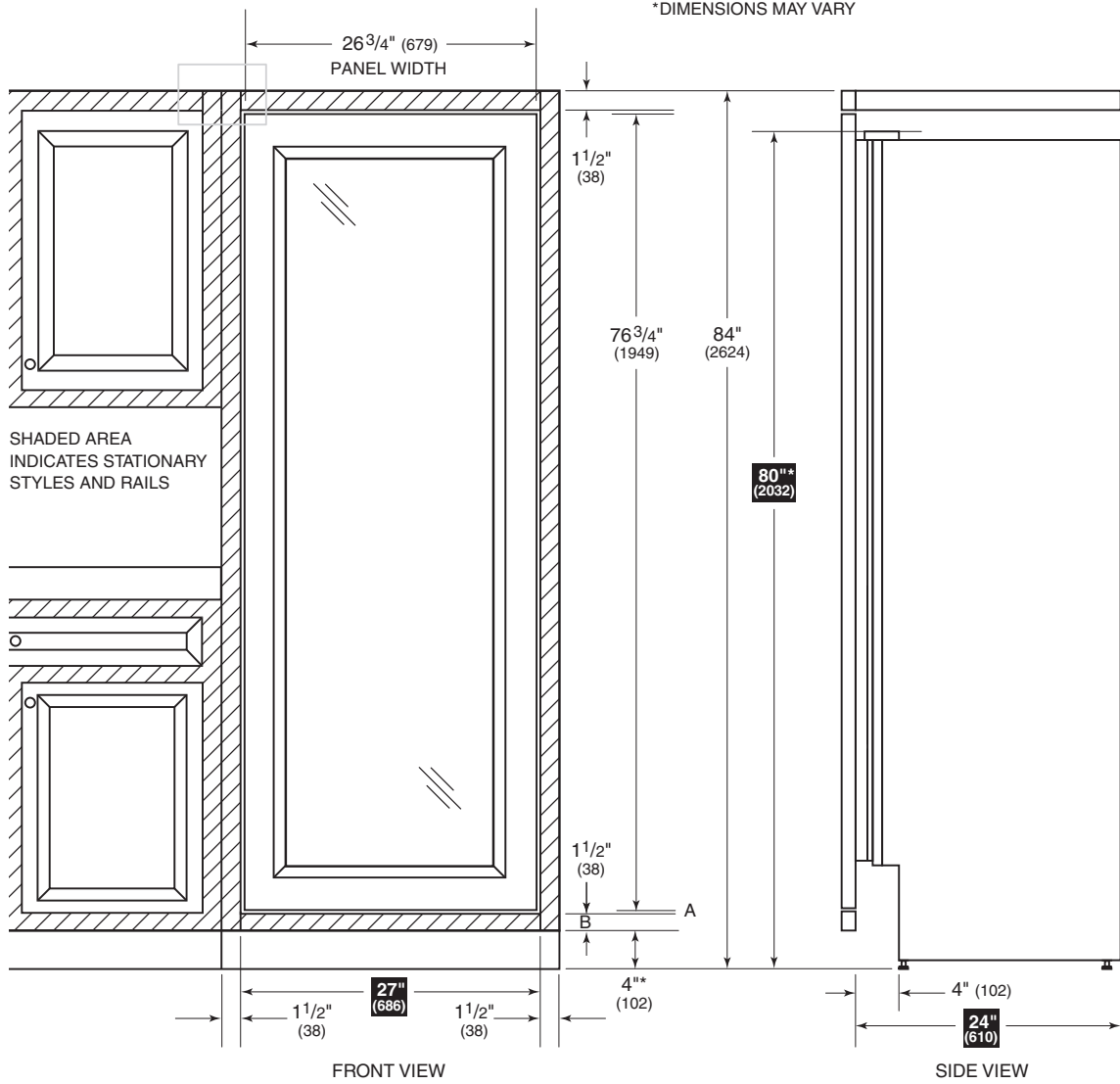


The illustration shows a Model 427 installed within a framed cabinetry beaded inset application.

IMPORTANT NOTE: Dimensions are based on a 1/8" (3) reveal. A reveal of up to 1/4" (6) is possible, but panel dimensions need to be adjusted accordingly.

- A) ALL REVEALS ARE 1/8" (3)
- B) BOTTOM RAIL MUST BE REMOVABLE

*DIMENSIONS MAY VARY



Installation of a Model 427 within framed cabinetry.

**Dimensions may vary.*

Dimensions in parentheses are in millimeters unless otherwise specified.



Wine Storage Model 427



WINE STORAGE

FRAMELESS CABINETRY APPLICATIONS

The illustration below shows a hypothetical installation of a Model 427 within frameless cabinetry. Review the illustration, giving particular attention to the overall panel specifications. Also refer to the full-scale illustrations at the end of this section for specifics on door openings.

IMPORTANT NOTE: Dimensions are based on a 1/8" (3) reveal. A reveal of up to 1/4" (6) is possible, but panel dimensions need to be adjusted accordingly.

FRAMELESS CABINETRY ▼



A) ALL REVEALS ARE 1/8" (3)

*DIMENSIONS MAY VARY

Installation of a Model 427 within frameless cabinetry.

**Dimensions may vary.*

Dimensions in parentheses are in millimeters unless otherwise specified.

Wine Storage Model 427



WINE STORAGE

⚠ CAUTION

When planning for hardware, please refer to the **Door Frame Profile full-scale illustration on page 13** to give you a better understanding of the unit's frame and positioning of the glass for the door. You must not drill through the glass.

HARDWARE CONSIDERATIONS

With the Model 427 you must supply your own handle hardware. It is recommended you use our optional handles and use the pre-drilled holes supplied to locate the handles within the frame of our unit. The metal frame on the door has numerous mounting holes on each side to accommodate Sub-Zero accessory handles. This will allow you to provide the best possible handle alignment and not take away from the strength of the stile in this area after the unit is used a number of times. We recommend using a pull handle and not a pull knob.

If you elect to place different hardware on the units, we encourage you to fasten the hardware by passing through our door and attach the hardware through the Sub-Zero door's frame.

Optional stainless steel handles are available in a variety of diameters and lengths in the classic, platinum and carbon stainless steel finishes and polished chrome. Contact your Sub-Zero dealer for specifics. To obtain local dealer information, visit the Locator section of our website, subzero.com.

WOOD FACING - WINE SHELVES

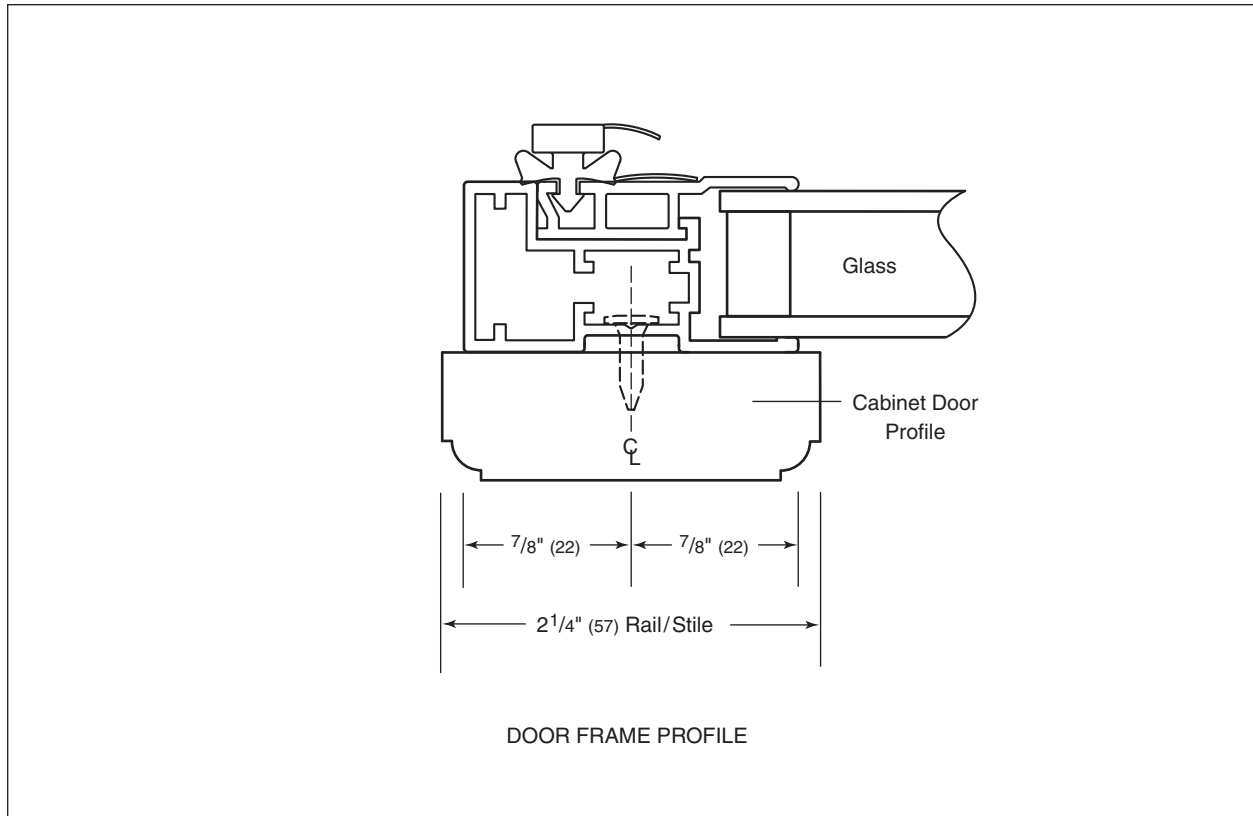
Sub-Zero has provided a natural cherry wood facing to each of its wine shelves in each model. If, however, you would like to replace these strips with wood more complementary to your design and surrounding cabinetry, you can.

The Wine Shelf Wood Facing Dimensions illustration, on page 14, can be used as a full-scale template. You must follow the layout of this format to accommodate the shelves properly. To remove the cherry strips, take the shelves out and merely remove the screws. Reverse the procedure to affix the new wood.

If you choose to stain or seal the wood facing, be aware that some of these substances are hazardous and will damage stored wine.

Wine Storage Model 427

WINE STORAGE DOOR FRAME



WINE STORAGE

The full-scale illustration above is typical of the Model 424 door frame profile, details of the other Wine Storage door frames will vary slightly.

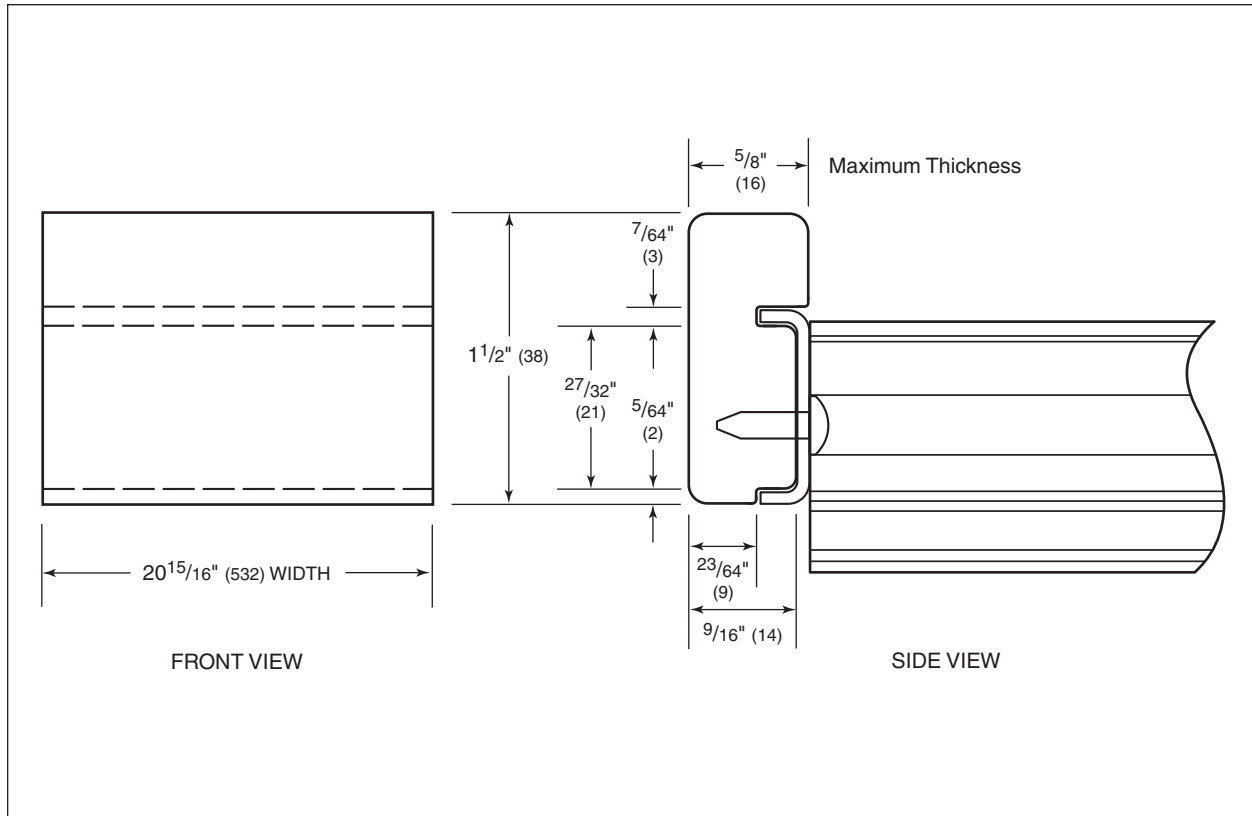
FULL-SCALE TEMPLATE

The full-scale illustrations on this page and the following page enables you to understand some of the unique situations you may face as you design the Wine Storage units into homes. These templates can be easily photocopied or used in your tracings.

IMPORTANT NOTE: Rails and stiles must be wide enough to cover the door hinges. The back sides of rails and stiles that will be visible through the glass door will need to be finished.

Wine Storage Model 427

WINE SHELF WOOD FACING



WINE STORAGE

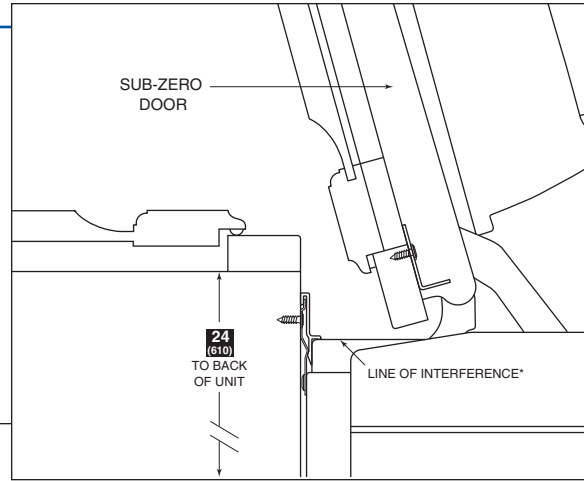
FULL-SCALE TEMPLATE

Use the full-scale illustration above as a template if you choose to replace the natural cherry wood facing with wood more complementary to your design and surrounding cabinetry.

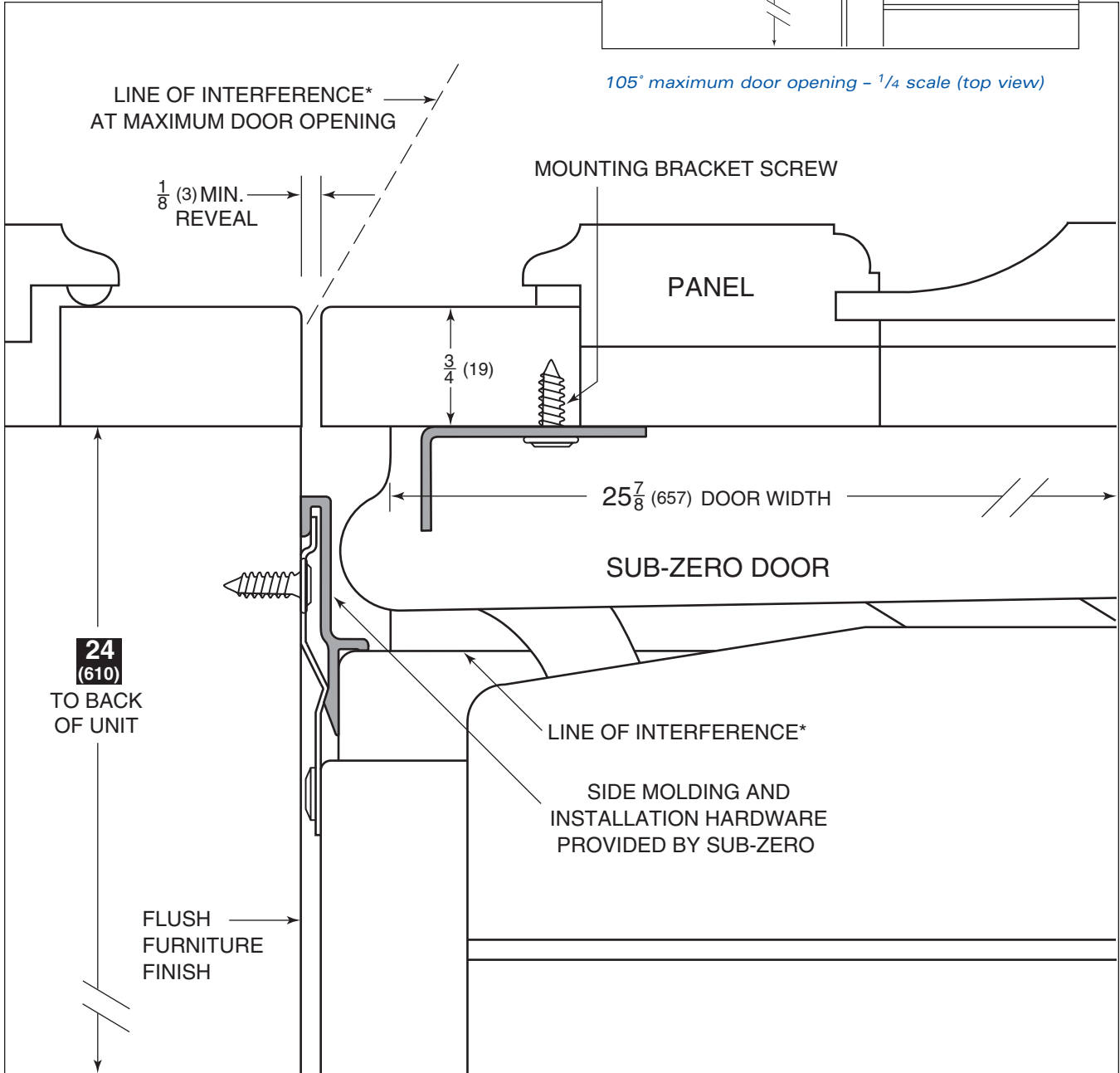
Wine Storage Model 427

FRAMED CABINETRY

IMPORTANT NOTE: The depth of the Model 427 is 24" (610) from the front of the unit to its back. Your design may necessitate moving the unit back, or cabinets forward to achieve a flush fit.



105° maximum door opening - 1/4 scale (top view)



Door closed - full scale (top view)

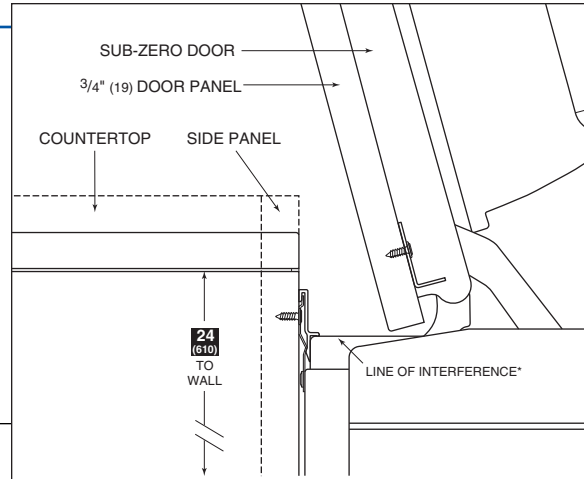
*If the panel is thicker than 3/4" (19), it is recommended that you utilize the built-in 90° door stop to prevent damage to the panel and face frame.

Dimensions in parentheses are in millimeters unless otherwise specified.

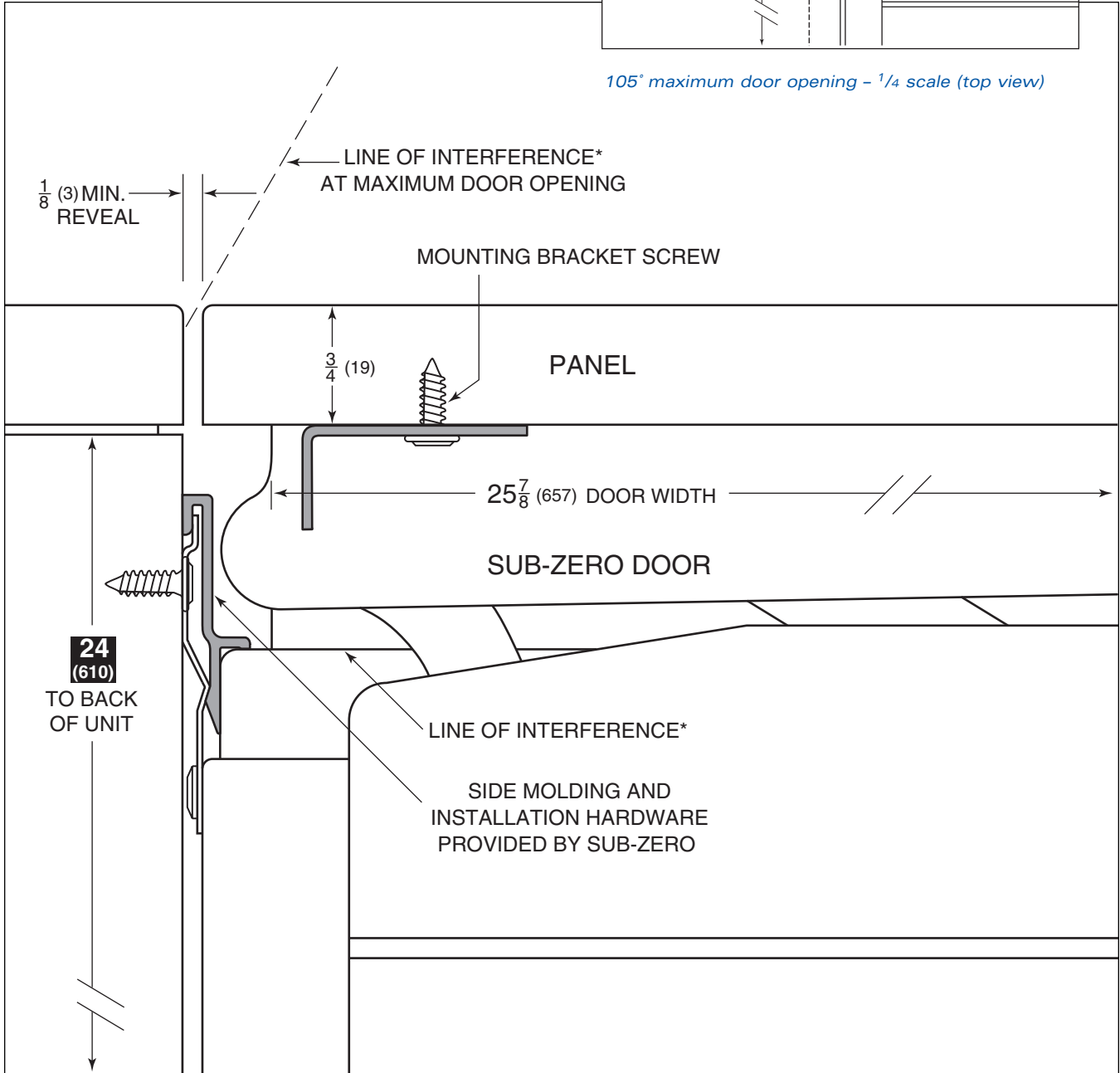
Wine Storage Model 427

FRAMELESS CABINETRY

IMPORTANT NOTE: The depth of the Model 427 is 24" (610) from the front of the unit to its back. Your design may necessitate moving the unit back, or cabinets forward to achieve a flush fit.



105° maximum door opening - 1/4 scale (top view)



Door closed - full scale (top view)

*If the panel is thicker than 3/4" (19), it is recommended that you utilize the built-in 90° door stop to prevent damage to the panel and face frame.

Dimensions in parentheses are in millimeters unless otherwise specified.