



FLAT PANEL BED DRAWER

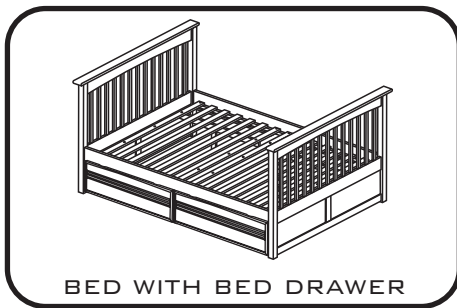
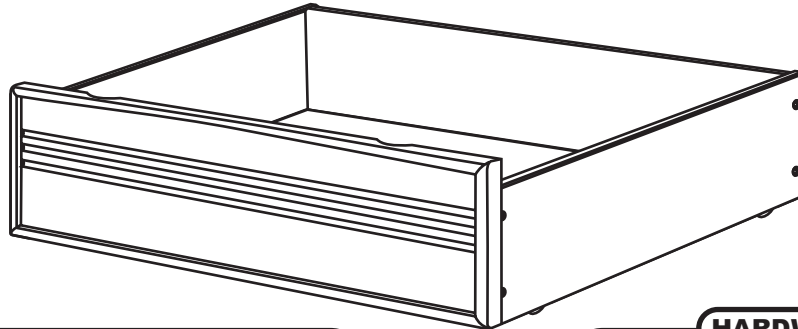
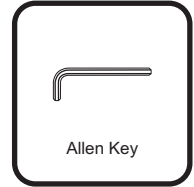


ASSEMBLY INSTRUCTIONS

Thank you for choosing our new Flat panel bed drawer.

This practical design offers the utmost in versatility.

Before assembling your Drawer Bed, please read through these instructions carefully, familiarise yourself with the different parts.



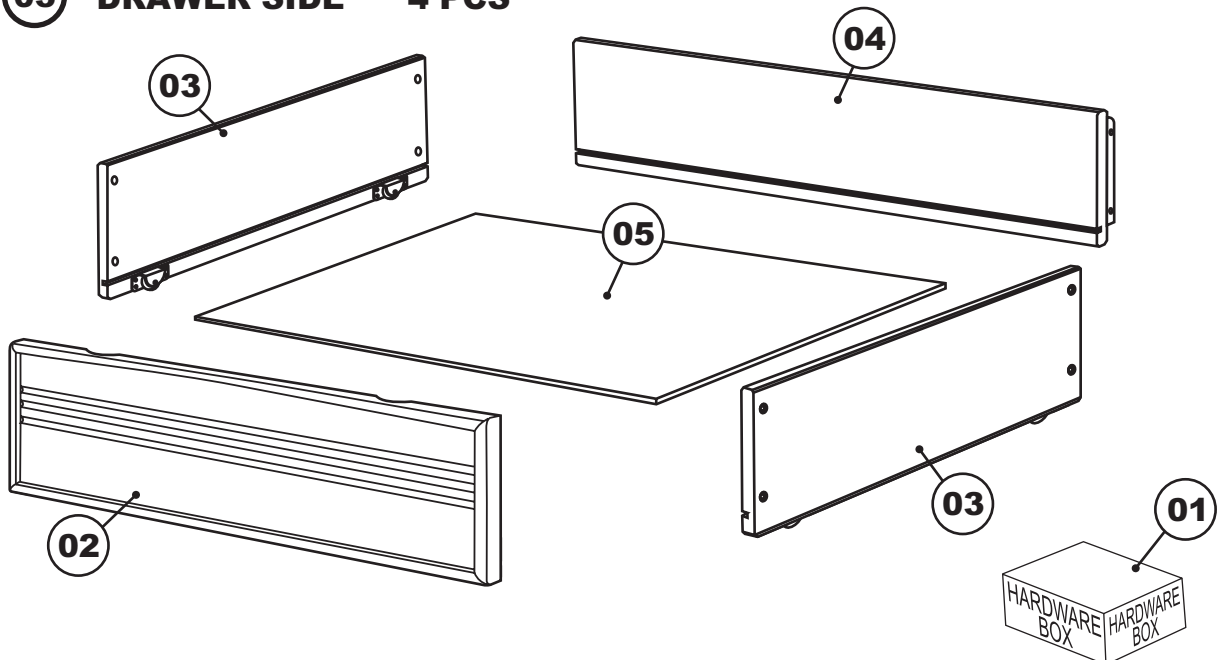
HARDWARE

A JCB M6 X 1" (25mm) - 16 pcs
Fix Drawer side to Drawer face / back

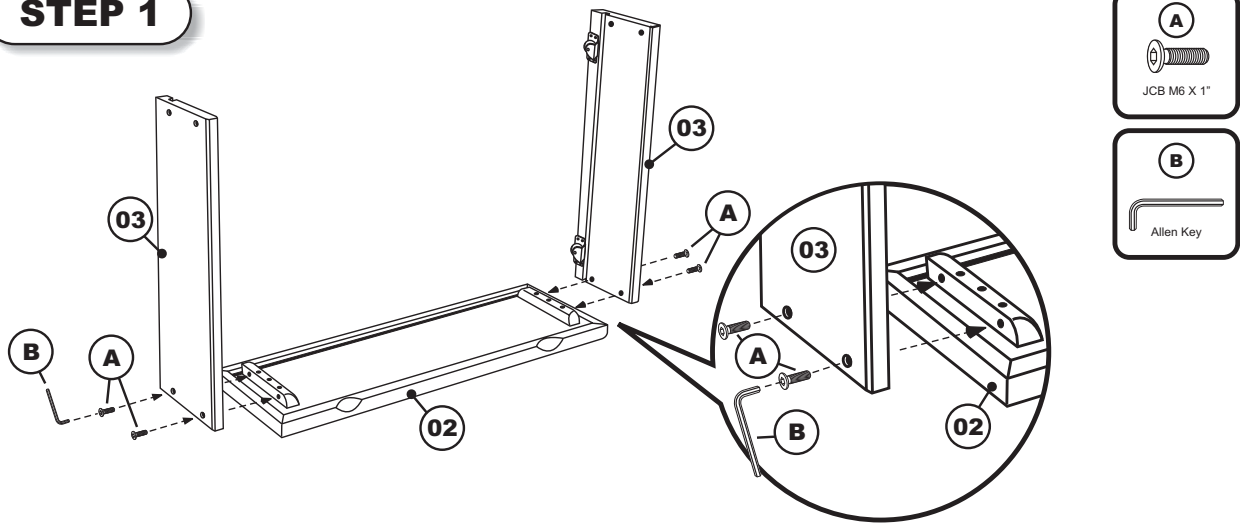
B Allen Key - 1 pcs

PARTS LIST

- | | | | | | |
|-----------|--------------------|--------------|-----------|---------------------|--------------|
| 01 | HARDWARE | 1 BOX | 04 | DRAWER BACK | 2 PCS |
| 02 | DRAWER FACE | 2 PCS | 05 | DRAWER PANEL | 2 PCS |
| 03 | DRAWER SIDE | 4 PCS | | | |

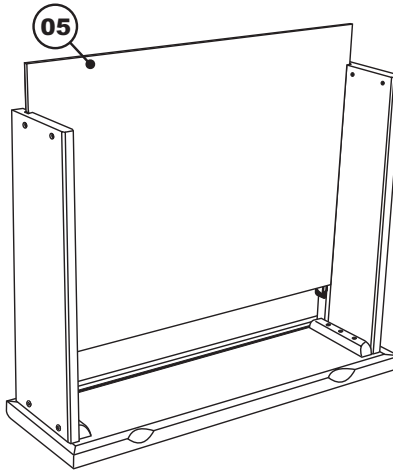


STEP 1



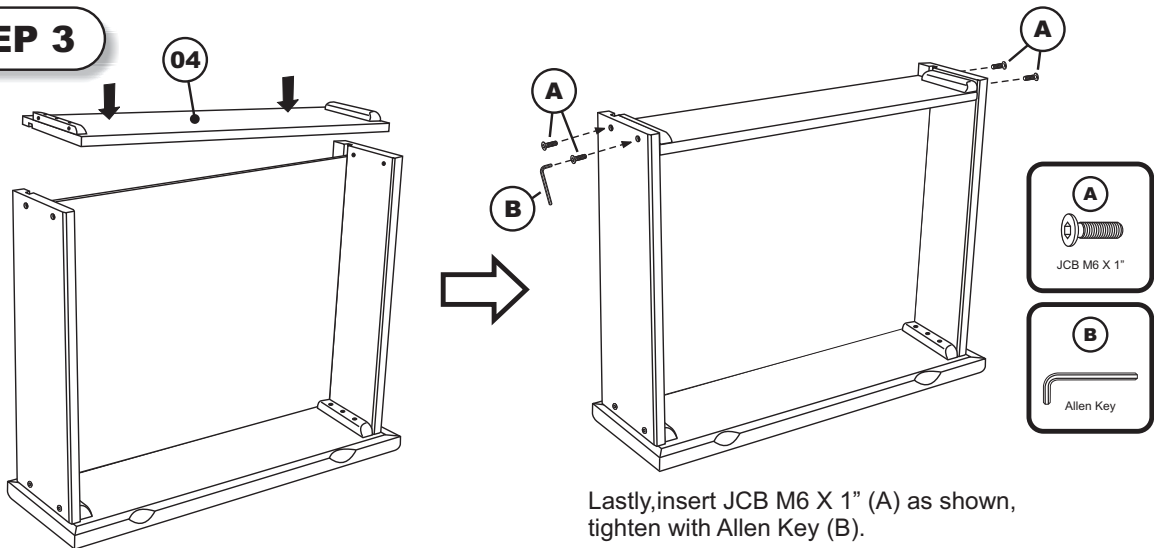
Attach the Drawer Side (03) to the Drawer Face (02), use JCB M6 X 1" (A) tighten with Allen Key (B)

STEP 2



Guide the Drawer Panel (05) in carefully so that it won't jump out of its grooves. Be sure it fits fully into its groove at the bottom (in the Drawer Face) before fitting the Drawer Back.

STEP 3



Attach the Drawer Back (04) to the Drawer Side.

Lastly, insert JCB M6 X 1" (A) as shown, tighten with Allen Key (B).