
BERTAZZONI DESIGN SERIES

30" PERIMETER INSERT HOOD KIN 30 PER X



The single-motor canopy hoods deliver extraction power up to 600 CFM with three different power settings. It comes equipped with aluminum mesh filters or optional baffle filters, all easily removable and dishwasher safe. It can be installed under a cabinet or on the wall. The design matches Bertazzoni Design Series ranges and cooktops while also complementing other Bertazzoni Series.

SINGLE MOTOR INSERT



The electronic controls, halogen lights and easy to remove filters provide the utmost in convenience.



TO COOK BEAUTIFULLY

BERTAZZONI DESIGN SERIES

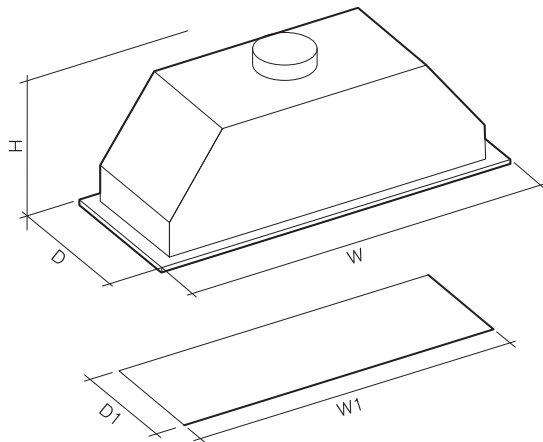
30" PERIMETER INSERT HOOD KIN 30 PER X

FEATURES

Motor	3 speeds
Electronic Remote Control	yes
Halogen lights	2
Filters	concealed aluminum mesh
Motor power	600 cfm

TECHNICAL SPECIFICATIONS

Electrical Requirements	120V 60Hz
Max amp usage	3.8 Amp
Slider control	yes
Certification	CSA
Warranty	2 years parts and labor
Product weight	21 lbs
Box weight	24 lbs



DIMENSIONS

Ref.	Description	Dimensions	
		Inches	mm
D	Hood max depth	11 ⁷ / ₈	302
H	Hood height	11 ⁷ / ₈	302
D1	Cut out depth	10 ³ / ₈	264
W	Hood width	25 ³ / ₄	654
W1	Cut out width	26 ¹ / ₄	667

INSTALLATION INSTRUCTIONS

Bertazzoni recommends to operate the appliance after it has been properly installed. Please refer to the installation manual for further details.