

# FRIGIDAIRE GALLERY®

## FGGF3059T D/F

### FREESTANDING RANGE

30" GAS

Smudge-Proof™  
Stainless Steel



#### AVAILABLE COLORS



#### PRODUCT DIMENSIONS

Height (Max.) 46-5/8"

Width 29-7/8"

Depth (Incl. Handle) 29-1/4"

#### MORE EASY-TO-USE FEATURES

##### Steam Cleaning

A 20-minute light oven cleaning that's chemical-free, odor-free, and fast.

##### One-Touch Self-Clean

Your oven cleans itself — so you don't have to. Self clean options available in 2-, 3- and 4-hour cycles.

##### Smudge-Proof™ Stainless Steel

Resists fingerprints and cleans easily.

##### Effortless™ Temperature Probe with Auto Keep Warm

The Effortless™ Temperature Probe allows you to set the desired finished temperature and alerts you when that temperature has been reached. The oven then holds the desired temperature of the meat by switching to a keep warm function for better cooking results.

##### Effortless™ Convection Conversion

Takes the guesswork out of convection cooking — our ovens automatically adjust standard baking temperatures to convection temperatures for consistent results.

##### Continuous Corner-to-Corner Grates

Move heavy pots and pans without lifting with continuous, corner-to-corner grates

#### CERTIFICATIONS

Star-K® Certified (*Sabbath Mode*)

#### SIGNATURE FEATURES



##### True Convection

A third heating element and single convection fan circulate hot air throughout the oven for faster and more even multi-rack baking.



##### Quick Preheat

Preheat in just a few minutes.



##### CustomFlex™ Cooktop with Griddle and Oval Burner

Evenly heat and cook pancakes, hamburgers, or quesadillas on the CustomFlex™ Cooktop that includes a Center Oval Burner and cast iron griddle.



##### Power Burner

Power Burner offers more power and faster boil time with 18,000 BTU burner.

| BURNERS     | BTU    |
|-------------|--------|
| Right Front | 18,000 |
| Right Rear  | 5,000  |
| Left Front  | 9,500  |
| Left Rear   | 14,000 |
| Center Oval | 10,000 |

# FGGF3059T D/F FREESTANDING RANGE

30" GAS

FRIGIDAIRE  
GALLERY.

## FEATURES

|                               |  |
|-------------------------------|--|
| Oven Control/Timing System    | Express-Select® Controls                     |
| Surface Type                  | Black Porcelain                              |
| Sealed Gas Burners            | Yes  |
| Grates                        | Continuous Cast Iron with Black Matte Finish |
| Window                        | Extra-Large                                  |
| Exterior Door Finish          | Smudge-Proof™ Stainless Steel                |
| Handle Design                 | Stainless Steel                              |
| Exterior Finish (Side Panels) | Black  |
| Convection System             | True Convection                              |
| Oven Cleaning System          | Self Clean                                   |
| Drawer Functionality          | Storage                                      |

## OVEN CONTROLS

|                                   |               |
|-----------------------------------|---------------|
| Bake                              | Yes           |
| Broil                             | Yes           |
| Effortless™ Convection Conversion | Yes           |
| Convection Bake                   | Yes           |
| Convection Roast                  | Yes           |
| Quick Preheat                     | Yes           |
| Effortless™ Temperature Probe     | Yes           |
| Keep Warm                         | Yes           |
| Delay Start                       | Yes           |
| Self Clean                        | 2, 3, 4 Hours |
| Steam Clean                       | Yes           |
| Quick Clean Option                | Yes           |
| Delay Clean                       | Yes           |
| Auto Oven Shut-Off                | 12 Hours      |
| Oven Lockout                      | Yes           |

## COOKTOP FEATURES

|                          |        |
|--------------------------|--------|
| Right Front Burner (BTU) | 18,000 |
| Right Rear Burner (BTU)  | 5,000  |
| Left Front Burner (BTU)  | 9,500  |
| Left Rear Burner (BTU)   | 14,000 |
| Center Oval Burner (BTU) | 10,000 |

## OVEN FEATURES

|                                |                        |
|--------------------------------|------------------------|
| Capacity (Cu.Ft.)              | 5.0                    |
| Oven Light                     | 1                      |
| Rack Configuration             | 3 Heavy-Duty Racks     |
| Baking System                  | Even Baking Technology |
| Broiling System                | Vari-Broil™ (Hi/Lo)    |
| Bake Burner/Broil Burner (BTU) | 18,000/13,500          |

## OPTIONAL ACCESSORIES

|                       |           |
|-----------------------|-----------|
| LP Gas Conversion Kit | PN# GRLP4 |
| Griddle               | Included  |

## CERTIFICATIONS

|                                  |     |
|----------------------------------|-----|
| Star-K® Certified (Sabbath Mode) | Yes |
|----------------------------------|-----|

## SPECIFICATIONS

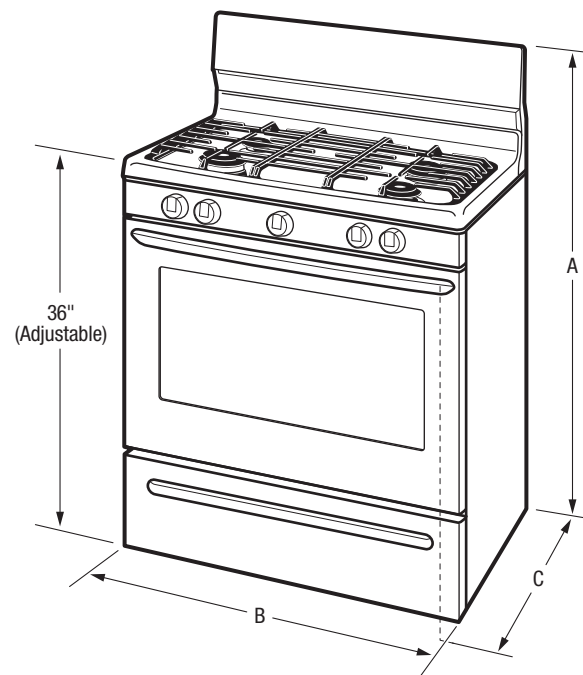
|                                  |                             |
|----------------------------------|-----------------------------|
| Oven Interior (H x W x D)        | 18-5/8" x 24-3/8" x 19-1/8" |
| Power Supply Connection Location | Left Bottom Rear            |
| Gas Supply Connection Location   | Right Bottom Rear           |
| Voltage Rating                   | 120V/60Hz/5A                |
| Amps @ 120 Volts                 | 5                           |
| Shipping Weight (Approx.)        | 205 Lbs.                    |

## PRODUCT DIMENSIONS

|                          |          |
|--------------------------|----------|
| A - Height (Max.)        | 46-5/8"  |
| B - Width                | 29-7/8"  |
| C - Depth (Incl. Handle) | 29-1/4"  |
| Depth with Door Open 90° | 46-9/16" |

## CABINET CUTOUT DIMENSIONS

|                   |     |
|-------------------|-----|
| Height (Standard) | 36" |
| Width (Min.)      | 30" |
| Depth (Min.)      | 24" |

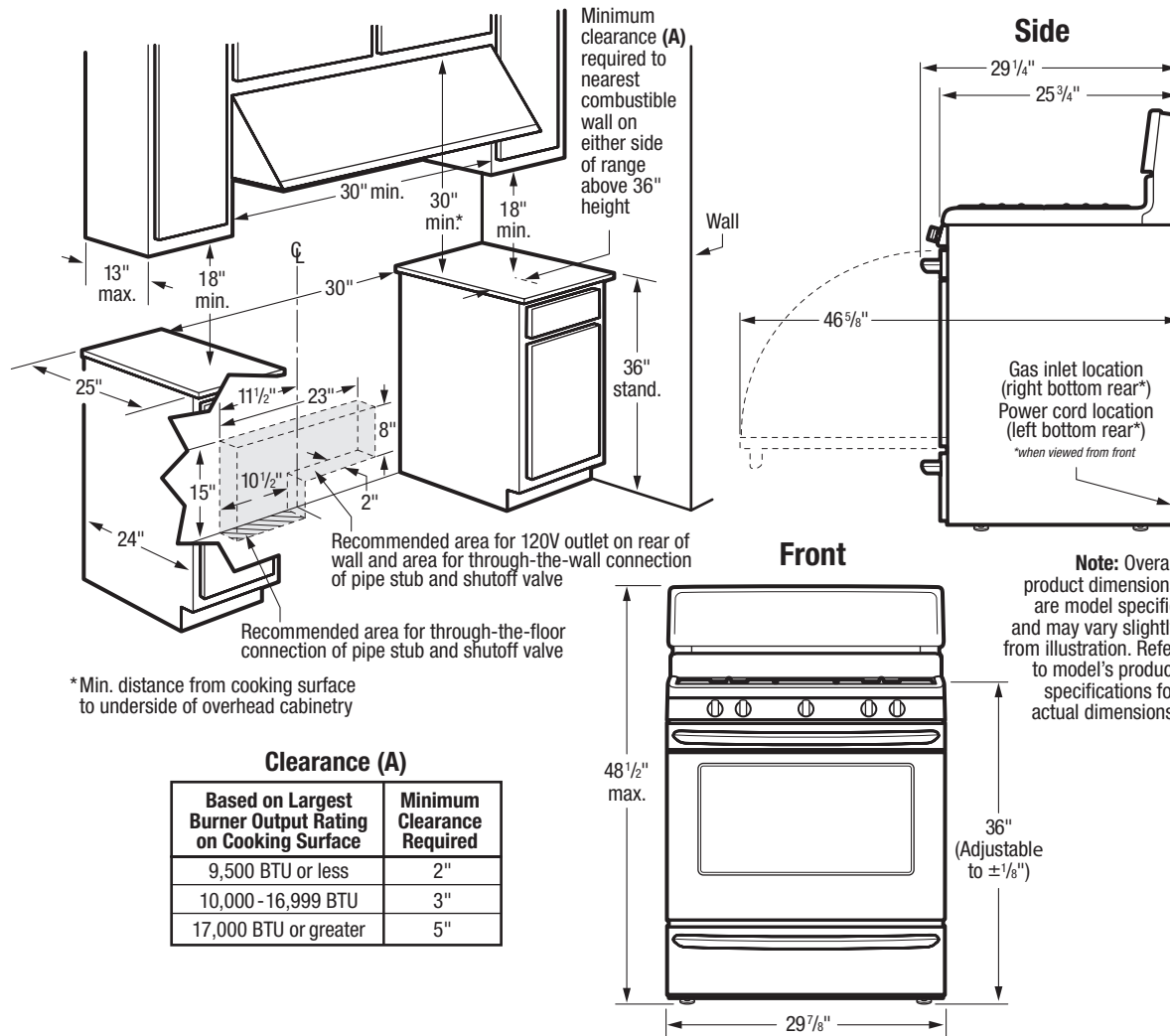


**Note:** For planning purposes only. Always consult local and national electric, gas and plumbing codes. Refer to Product Installation Guide for detailed installation instructions on the web at [frigidaire.com](http://frigidaire.com) / [frigidaire.ca](http://frigidaire.ca).  
Specifications subject to change. Accessories information available on the web at [frigidaire.com](http://frigidaire.com) / [frigidaire.ca](http://frigidaire.ca)

FRIGIDAIRE

USA • 10200 David Taylor Drive • Charlotte, NC 28262 • 1-800-FRIGIDAIRE • [frigidaire.com](http://frigidaire.com)  
CANADA • 5855 Terry Fox Way • Mississauga, ON L5V 3E4 • 1-800-265-8352 • [frigidaire.ca](http://frigidaire.ca)

FGGF3059T 07/18  
© 2018 Electrolux Home Products, Inc.



## INSTALLATION SPECIFICATIONS

- Product Shipping Weight (approx.) - 205 Lbs.
- Voltage Rating - 120V / 60 Hz / 5 Amps
- Amps @ 120 Volts = 5 Amps
- Always consult local and national electric and gas codes.
- Make sure wall coverings around range can withstand heat generated by range.
- Linoleum or any other synthetic floor covering located beneath range, must be capable of withstanding minimum heat of 90°F above room temperature without shrinking, warping or discoloring. Insulating pad or 1/4"-thick plywood required between range and a carpeted floor.
- Do not obstruct flow of combustion air at oven vent nor around base or beneath lower front panel of range. Range requires fresh air for proper burner combustion.
- Do not install range beneath any downward-blowing, overhead vent hood or air curtain.
- Range ships with 3/4" factory regulator.
- Range is LP Gas convertible. (Optional LP Gas conversion kit available.)

- Floor beneath range MUST be solid and level.
- Overhead cabinetry should not exceed a 13" maximum depth.
- Absolute minimum horizontal distance between overhead cabinets installed to either side of appliance must be no less than maximum width of appliance.
- Range can be installed flush to wall with 0" minimum rear clearance.
- Minimum clearance required (from edge of rangetop to nearest combustible wall on either side of range above 36" height) is based on largest burner output rating on cooking surface.
- To reduce risk of fire when using overhead cabinetry, install range hood that projects horizontally a recommended minimum of 5" beyond bottom of cabinets.
- Follow all dimension requirements provided to prevent property damage, potential fire hazard, and incorrect countertop and cabinet cuts.

### OPTIONAL ACCESSORIES

- LP Gas Conversion Kit - (PN# GRLP4).
- Griddle - (Included).

