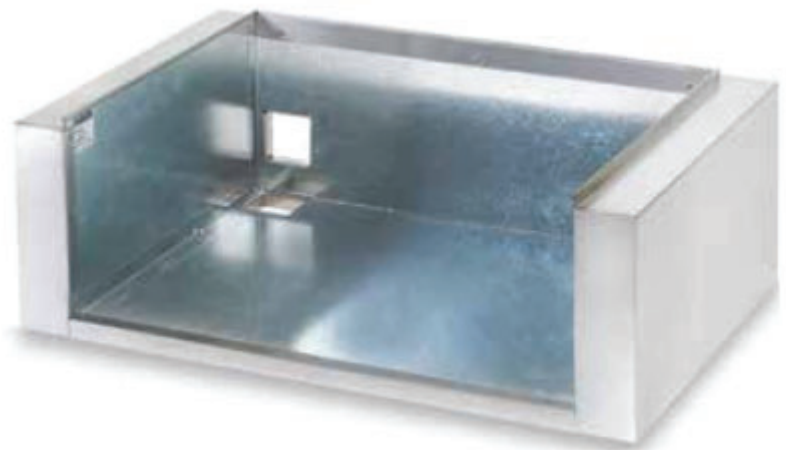


Installation MANUAL



5 SERIES Insulated Jacket

VIJ530

VIJ536

VIJ542

VIJ554

IMPORTANT: Before you build the frame, you must take into consideration the total weight of the liner, grill and any finishing materials.

Refer to the cutout dimension table for the proper framing dimensions for the insulation jacket. Determine the entry point for both the gas inlet and electrical connections. Make the 4" square holes for gas and electrical connections (rear or bottom access) based on your requirements.

Note: that the electrical connections are located on the left side and the gas connections are located on the right side.

A Carpenter's "spirit level" should be used to assure that the framing is level, both front to back and side to side. **Note:** Never under any circumstance should you install the transformer or run a quick disconnect hose inbetween the grill and the inside of the insulating jacket.

Liner Installation

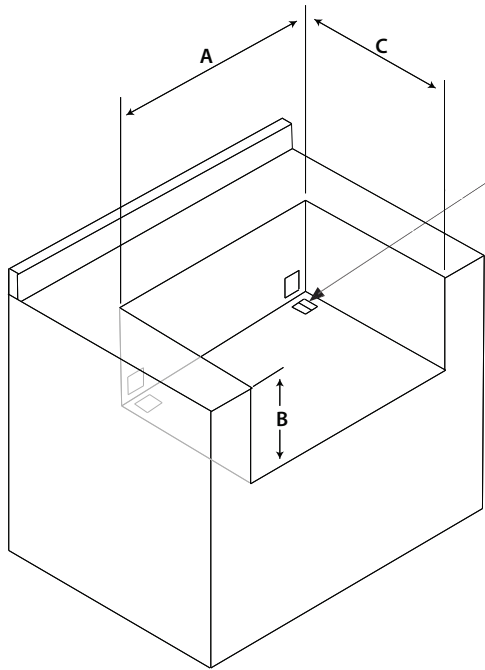
Position the liner into the frame. No part of the combustible enclosure can protrude above the top surface or in front of the face surface of the liner. Shim the liner if necessary.

Grill Installation

Use the proper equipment to support the grill. Place the grill into the liner and engage it over the liner lip across the back and sides. The liner is designed to support the grill without additional fasteners.

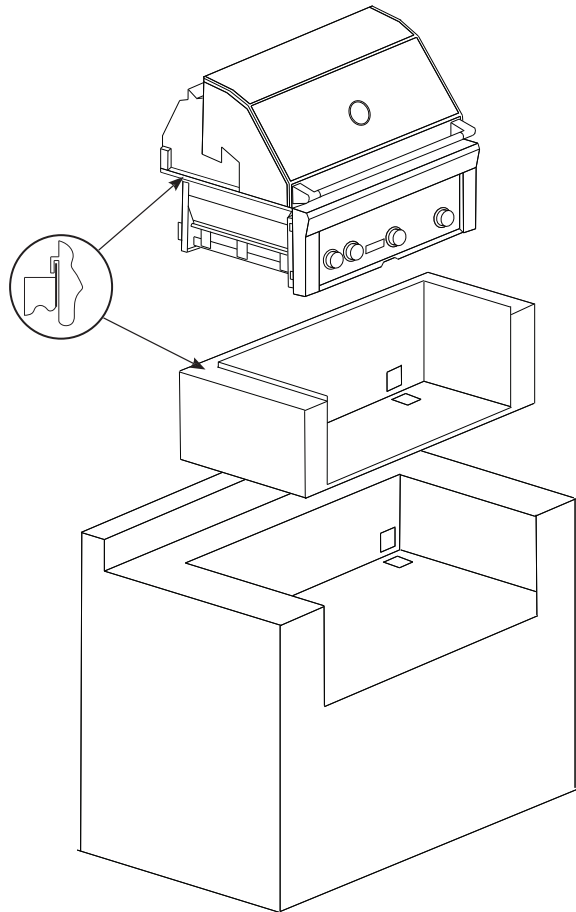
If desired any gap remaining between the liner and the combustible enclosure may be filled with a non-combustible sealant or caulk.

Cutout Dimensions



4" square holes for gas and electrical connections both left and right sides (rear or bottom access). Make these holes in the frame based on your requirements

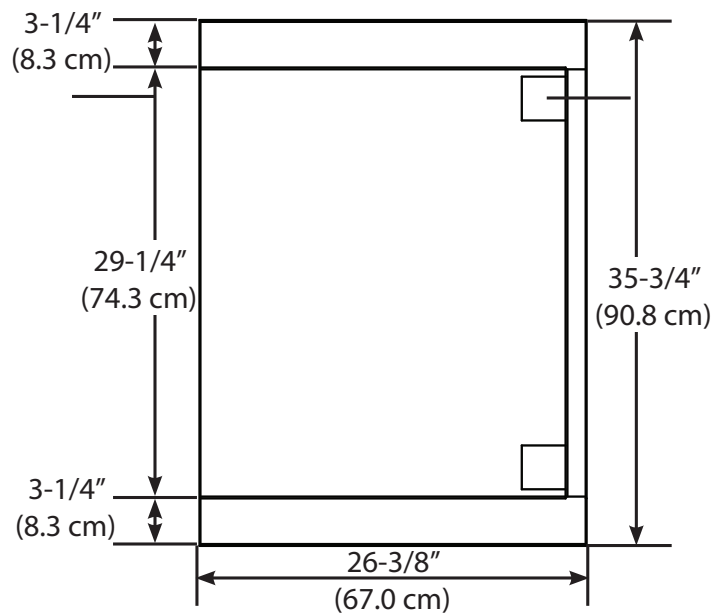
| MODEL | A | B | C |
|--------|-------|-------|-------|
| VIJ530 | 36.00 | 11.63 | 26.50 |
| VIJ536 | 42.00 | 11.63 | 24.00 |
| VIJ542 | 48.00 | 11.63 | 26.50 |
| VIJ554 | 60.00 | 11.63 | 26.50 |



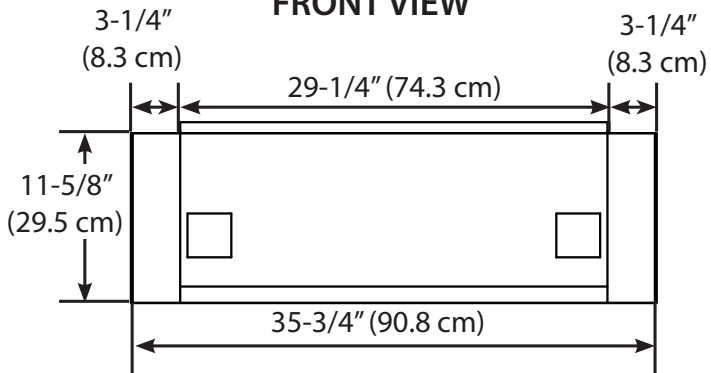
Insulated Jacket Dimensions

VIJ530

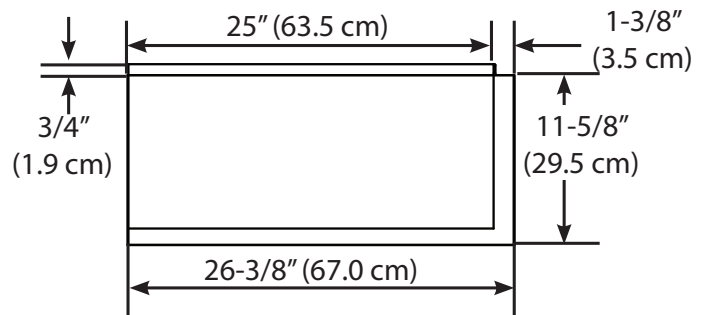
TOP VIEW



FRONT VIEW

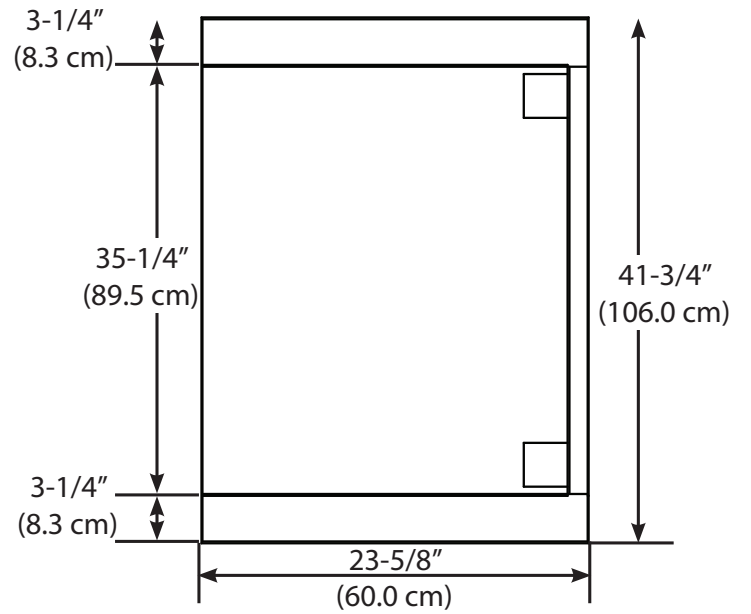


SIDEVIEW

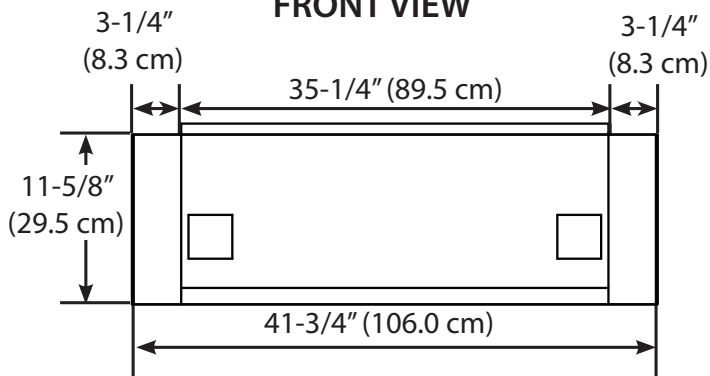


VIJ536

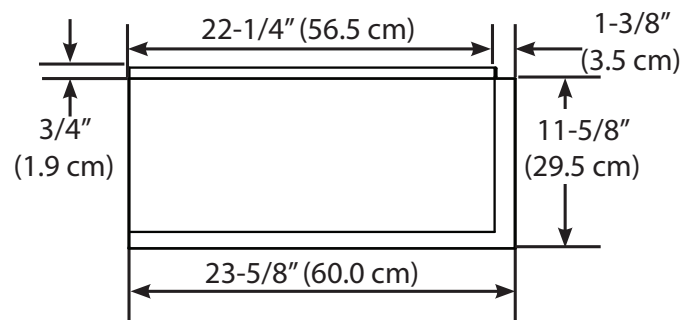
TOP VIEW

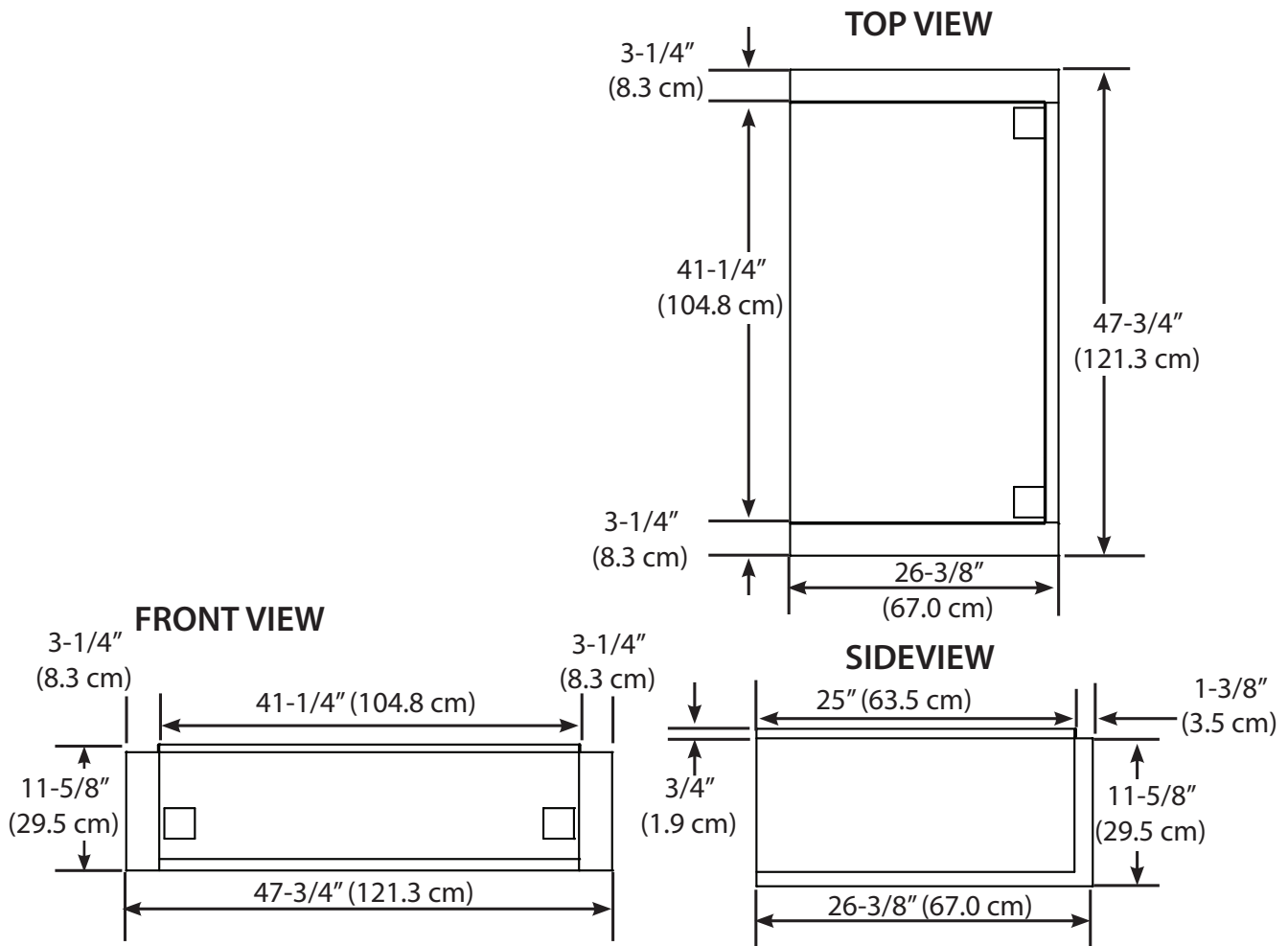


FRONT VIEW

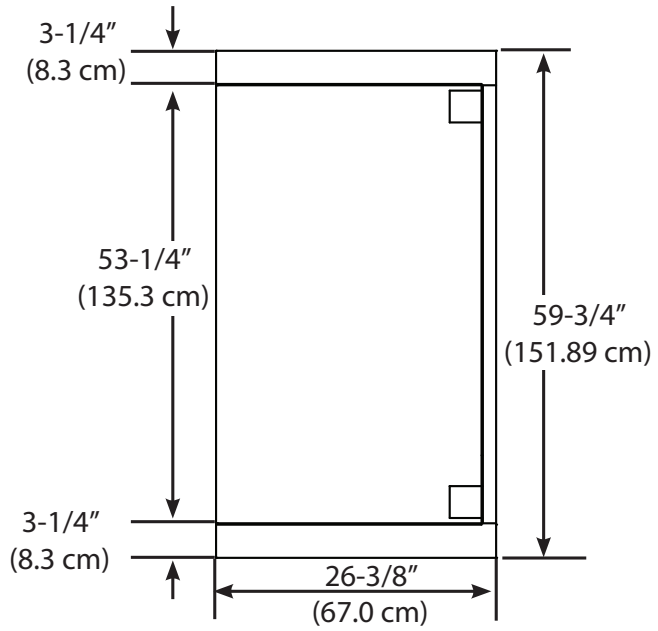


SIDEVIEW

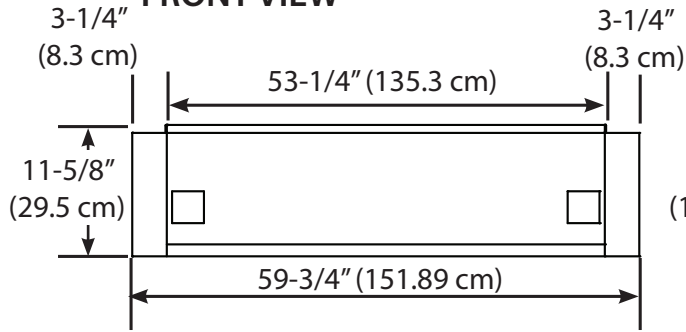




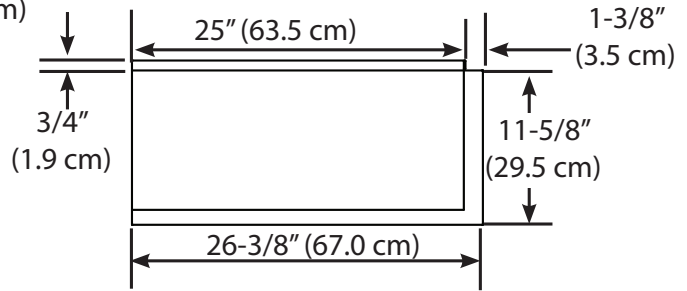
TOP VIEW



FRONT VIEW



SIDEVIEW



Viking Range, LLC
111 Front Street
Greenwood, Mississippi 38930 USA
(662) 455-1200

For product information, call 1-888-(845-4641) or visit our web site at vikingrange.com