

## 900mm CoolDrawer™ with Door Panel

Model no:

**RB90S64MKIW1 with EZKleen Stainless Steel façade [part number 840545]** (refer page 2 for imperial measurements)

Product Dimensions	mm
Ⓐ Overall height of CoolDrawer™ (including optional façade)	655
Ⓑ Overall width of CoolDrawer™ (including optional façade)	896
Ⓒ Depth of CoolDrawer™ front panel (excludes handle)	18
Ⓓ Depth of CoolDrawer™ chassis (includes power terminal)	557
Ⓔ Height of optional drawer façade	476
Ⓕ Height from bottom datum to bottom of drawer panel	179
Ⓖ Height from bottom datum to bottom of handle	574
Ⓗ Height from bottom datum to top of handle	590
Ⓘ Width of handle	866
Ⓚ Depth of handle measured from front of drawer	41
Ⓛ With of chassis	855
Ⓜ Height of chassis at rear	640
Ⓝ Depth of drawer door (excludes optional façade)	45
Ⓞ Depth of drawer (open) (measured from front drawer panel) excluding handle	520

Minimum Clearances	mm
Minimum inside height of cavity from bottom datum*	665
Minimum inside width of cabinetry	864
Minimum inside depth of cavity from front datum	560
Minimum gap between drawer panel to top of custom false panel	4

\* Minimum internal height of cabinetry can be 644mm if outlet duct is not used. Please refer to installation manual for details.

INDICATES CABINETRY CARCASS DATUM -----  
INDICATES MINIMUM CABINETRY CLEARANCES - - - - -

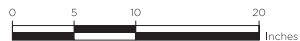
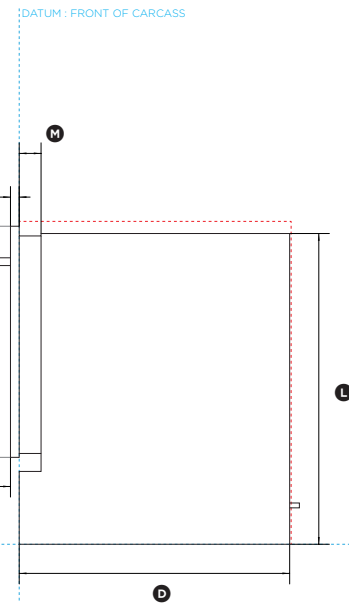
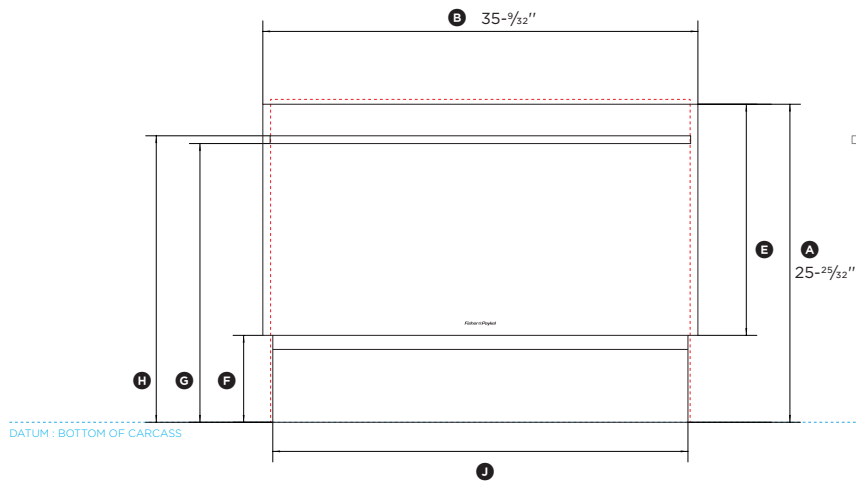
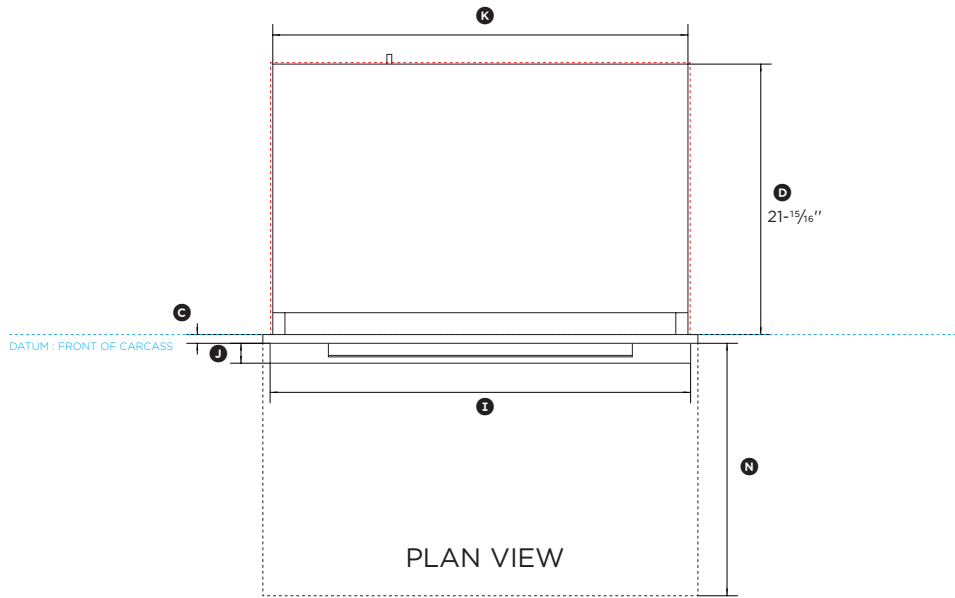
DATE: 29.04.2013

IMPORTANT NOTE: Throughout this guide, dimensions may vary by ±2mm (3/32"). Please read the installation manual for detailed information on installing the product. [www.fisherpaykel.com](http://www.fisherpaykel.com)



FRONT VIEW

PROFILE VIEW



### 36" CoolDrawer™ with Door Panel

Model no:

**RB36S25MKIW1 with EZKleen Stainless Steel façade [part number 840545]** (refer page 1 for metric measurements)

Product Dimensions	in
Ⓐ Overall height of CoolDrawer™™ (including optional façade)	25- <sup>25</sup> / <sub>32</sub> "
Ⓑ Overall width of CoolDrawer™™ (including optional façade)	35- <sup>9</sup> / <sub>32</sub> "
Ⓒ Depth of CoolDrawer™™ front panel (excludes handle)	<sup>23</sup> / <sub>32</sub> "
Ⓓ Depth of CoolDrawer™™ chassis (includes power terminal)	21- <sup>15</sup> / <sub>16</sub> "
Ⓔ Height of optional drawer façade	18- <sup>3</sup> / <sub>4</sub> "
Ⓕ Height from bottom datum to bottom of drawer panel	7- <sup>1</sup> / <sub>16</sub> "
Ⓖ Height from bottom datum to bottom of handle	22- <sup>19</sup> / <sub>32</sub> "
Ⓗ Height from bottom datum to top of handle	23- <sup>7</sup> / <sub>32</sub> "
Ⓘ Width of handle	34- <sup>3</sup> / <sub>32</sub> "
Ⓚ Depth of handle measured from front of drawer	1- <sup>9</sup> / <sub>16</sub> "
Ⓛ With of chassis	33- <sup>21</sup> / <sub>32</sub> "
Ⓜ Height of chassis at rear	25- <sup>3</sup> / <sub>16</sub> "
Ⓝ Depth of drawer door (excludes optional façade)	1- <sup>25</sup> / <sub>32</sub> "
Ⓞ Depth of drawer (open) (measured from front drawer panel) excluding handle	20- <sup>15</sup> / <sub>32</sub> "

Minimum Clearances	in
Minimum inside height of cavity from bottom datum*	26- <sup>7</sup> / <sub>16</sub> "
Minimum inside width of cabinetry	34- <sup>1</sup> / <sub>32</sub> "
Minimum inside depth of cavity from front datum	22- <sup>1</sup> / <sub>16</sub> "
Minimum gap between drawer panel to top of custom false panel	<sup>5</sup> / <sub>32</sub> "

\* Minimum internal height of cabinetry can be 25-<sup>11</sup>/<sub>32</sub>" if outlet duct is not used. Please refer to installation manual for details.

INDICATES CABINERY CARCASS DATUM -----  
INDICATES MINIMUM CABINERY CLEARANCES - - - - -

DATE: 01.08.2013

IMPORTANT NOTE: Throughout this guide, dimensions may vary by ±2mm (3/32"). Please read the installation manual for detailed information on installing the product. [www.fisherpaykel.com](http://www.fisherpaykel.com)

**Fisher & Paykel**